

DIRECT DRIVE MOTOR

CASB

Extremely robust, high pressure, single inlet centrifugal fans with sheet steel casing and impeller

Designed for dusty air



SYSTEM

4



Fan:

- Sheet steel casing.
- Backward curved impeller made of highly robust sheet steel, specially designed for dusty air and small suspended materials.
- Directly coupled motor.
- With inspection and cleaning hatch from size 560 and up.
- Sizes larger than 1600 will be supplied with the casing disassembled to facilitate transport.
- Casing continuously welded starting with size 710.

Motor:

- Motors with IE3 efficiency for powers equal to or greater than 0.75kW, except single-phase, 2-speed and 8-pole.
- Class F motors with ball bearings, IP55 protection.
- Three-phase 230/400 V 50 Hz (up to 4 kW) and 400/690 V 50 Hz (powers greater than 4 kW).
- Maximum temperature of air to be carried: -25 °C +90 °C.

Finishing:

- Anti-corrosive finish in polyester resin, polymerised at 190 °C, after degreasing with phosphate-free nanotechnology treatment.

On request:

- Special windings for different voltages.
- Fan prepared to transport air up to +150 °C.
- Special executions for temperatures + 300 °C.
- Stainless steel fan.
- ATEX certified Category 2.
- System 8 elastic coupling.

*The images are provided only for illustrative purposes, the product may vary depending on its size, specifications and position.

Order code

CASB — 450 — 2T — 10

CASB: Extremely robust, high pressure, single inlet centrifugal fans with sheet steel casing and impeller.

Impeller size

Number of motor poles
2=2900 r/min 50 Hz
4=1400 r/min 50 Hz
6=900 r/min 50 Hz

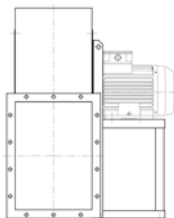
T=Three-phase

Motor power (HP)

Direct drive motor construction method

SYSTEM

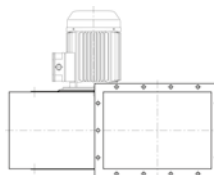
4



Direct drive, impeller mounted on the motor shaft, mounted on the pedestal.

SYSTEM

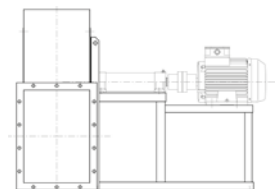
5



Direct drive, impeller mounted on the motor shaft, flange motor mounted on the fan casing.

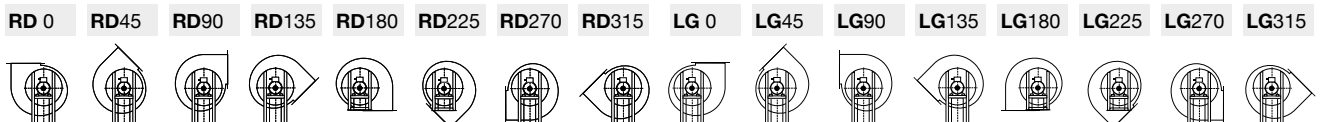
SYSTEM

8



Elastic coupling drive, impeller mounted on the support shaft, mounted on the motor via an elastic coupling. Everything mounted together on a fan pedestal.

Orientations



LG270 standard supply, other positions on request. Models 350 to 710 are adjustable. Special sizes in positions 180 and 225. Models 800 to 900 are adjustable. Special sizes except position 315. Models 1000 to 1400 are not adjustable. Special sizes except position 315.

Technical characteristics

Model	Frame	Speed (r/min)	Maximum admissible current (A)			Installed power (kW)	Maximum flow rate (m³/h)	Sound pressure level dB(A)	Approx. weight (Kg)	According ErP
			230 V	400 V	690 V					
CASB-350-2T-3 IE3	90L	2910	7.32	4.21		2.20	3950	70	73	2015
CASB-400-2T-5.5 IE3	112M	2900	13.00	7.50		4.00	5550	74	108	2015
CASB-450-2T-10 IE3	132SB	2935		13.90	8.06	7.50	7900	77	150	2015
CASB-500-2T-15 IE3	160MA	2945		20.00	11.60	11.00	10800	80	230	2015
CASB-500-4T-1.5 IE3	90S	1455	4.07	2.34		1.10	5020	62	133	2015
CASB-560-2T-20 IE3	160MB	2945		27.70	16.10	15.00	13750	83	282	2015
CASB-560-2T-25 IE3	160L	2945		33.90	19.70	18.50	15900	83	292	2015
CASB-560-4T-3 IE3	100LA	1435	7.93	4.56		2.20	7800	65	139	2015
CASB-630-2T-40 IE3	200LA	2960		54.50	31.60	30.00	19450	86	382	2015
CASB-630-2T-50 IE3	200LB	2960		67.80	39.30	37.00	22700	88	392	2015
CASB-630-4T-5.5 IE3	112M	1450	13.90	8.00		5.50	10900	71	223	2015
CASB-710-4T-7.5 IE3	132S	1465		10.30	5.97	5.50	13000	71	295	2015
CASB-710-4T-10 IE3	132MA	1465		13.90	8.06	7.50	15300	73	281	2015
CASB-800-4T-15 IE3	160L	1470		20.90	12.10	11.00	19300	76	421	2015
CASB-800-4T-20 IE3	160L	1465		27.90	16.20	15.00	22450	76	396	2015
CASB-800-6T-5.5 IE3	132MA	960	15.60	8.99		4.00	13700	66	335	2015
CASB-900-4T-30 IE3	180M	1470		41.00	23.80	22.00	27550	78	581	2015
CASB-900-4T-40 IE3	200L	1480		57.10	33.10	30.00	31800	79	672	2015
CASB-900-6T-10 IE3	160M	975		14.80	8.58	7.50	19550	68	486	2015
CASB-1000-4T-50 IE3	225S	1480		66.80	38.70	37.00	38600	82	752	2015
CASB-1000-4T-60 IE3	225M	1475		80.90	46.90	45.00	42900	84	759	2015
CASB-1000-6T-15 IE3	160L	975		21.90	12.70	11.00	26750	73	614	2015
CASB-1000-6T-20 IE3	180L	975		28.20	16.30	15.00	29700	73	640	2015
CASB-1120-4T-75 IE3	250M	1480		98.60	57.20	55.00	55100	86	1143	2015
CASB-1120-4T-100 IE3	280S	1485		134.00	77.70	75.00	63050	86	1215	2015
CASB-1120-6T-25 IE3	200LR	980		35.90	20.80	18.50	38000	76	969	2015
CASB-1120-6T-30 IE3	200L	980		42.40	24.60	22.00	41600	77	991	2015
CASB-1250-4T-150 IE3	315S	1490		193.00	112.00	110.00	78600	89	1466	2015
CASB-1250-4T-175 IE3	315MA	1490		231.00	134.00	132.00	87500	90	1537	2015
CASB-1250-6T-40 IE3	225M	985		55.40	32.10	30.00	51550	79	1222	2015
CASB-1250-6T-50 IE3	250M	985		67.20	39.00	37.00	57400	79	1319	2015
CASB-1400-6T-60 IE3	280S	985		84.40	48.90	45.00	64350	81	1829	2015
CASB-1400-6T-100 IE3	315S	990		139.00	80.60	75.00	85800	83	1951	2015



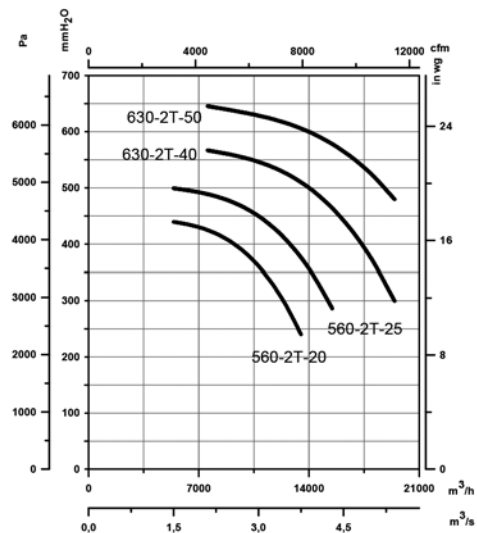
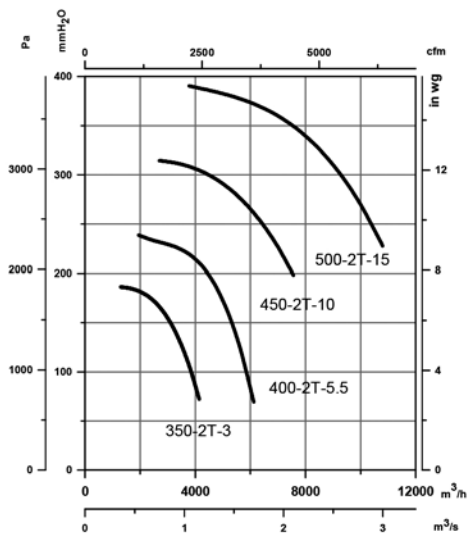
Erp. (Energy Related Products)

Information on Directive 2009/125/EC can be downloaded from the SODECA website or the QuickFan selector programme.

Characteristic curves

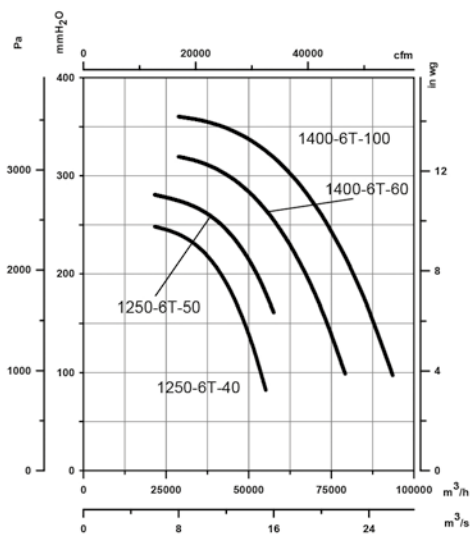
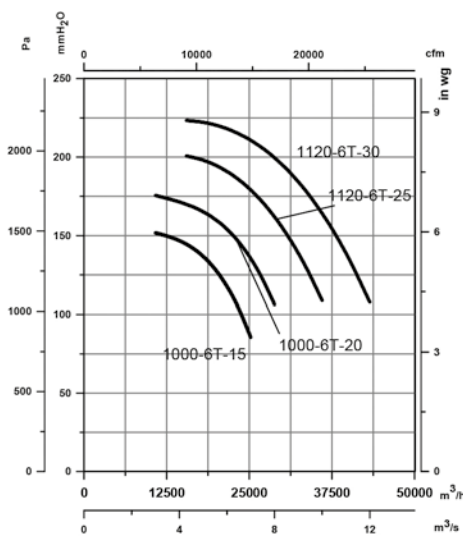
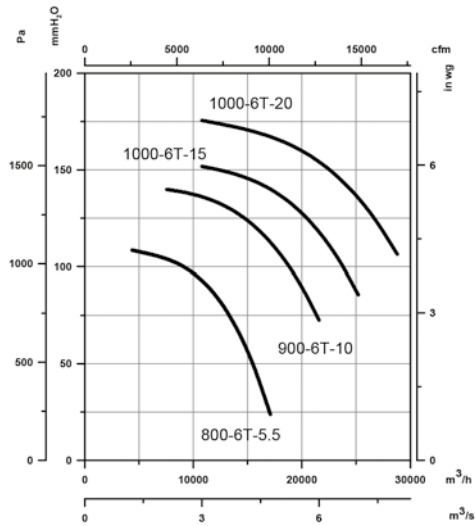
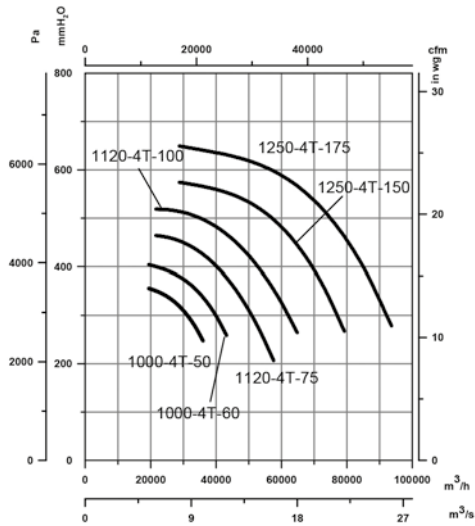
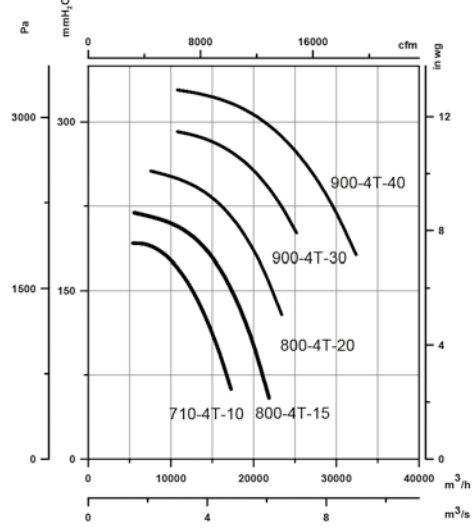
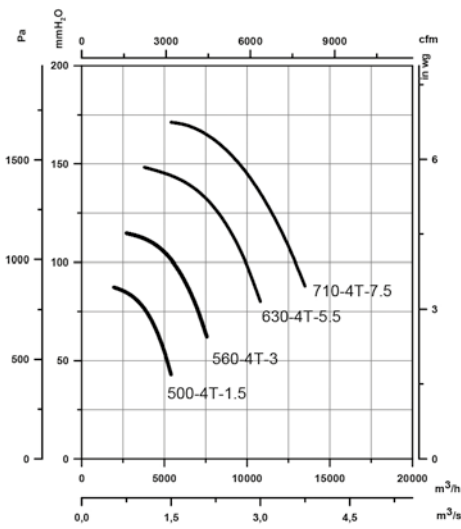
Q= Flow rate in m³/h, m³/s and cfm

Pe= Static pressure in mm H₂O, Pa and inwg



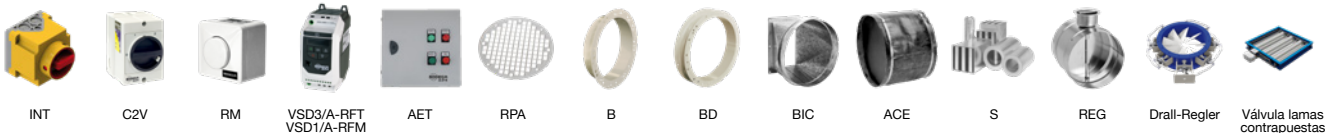
Characteristic curves

Q= Flow rate in m³/h, m³/s and cfm Pe= Static pressure in mm H₂O, Pa and inwg



LARGE SERIES

Accessories



BELT-DRIVEN MOTOR

CASB-X

Belt driven medium pressure fans, equipped with an electric motor, a set of pulleys, belts and protectors standardized according to ISO-13857
Designed for dusty air



- Casing continuously welded starting with size 710.

Motor:

- IE3 efficiency motors.
- Class F motors with ball bearings, IP55 protection.
- Three-phase 230/400 V 50 Hz (up to 4 kW) and 400/690 V 50 Hz (powers greater than 4 kW).
- Maximum temperature of air to be carried: -25 °C +90 °C.

Finishing:

- Anti-corrosive finish in polyester resin, polymerised at 190 °C, after degreasing with phosphate-free nanotechnology treatment.

On request:

- Special windings for different voltages.
- Fan prepared to transport air up to +300 °C.
- Stainless steel fan.
- ATEX certified Category 2.
- System 8 elastic coupling.

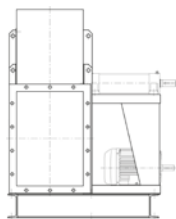
Fan:

- Sheet steel casing.
- Backward curved impeller made of highly robust sheet steel, specially designed for dusty air and small suspended materials.
- Engine mounted on general bench.
- With inspection and cleaning hatch from size 560 and up.
- Sizes larger than 1600 will be supplied with the casing disassembled to facilitate transport.

*The images are provided only for illustrative purposes, the product may vary depending on its size, specifications and position.

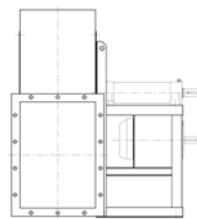
Belt-driven motor construction method

SYSTEM 12



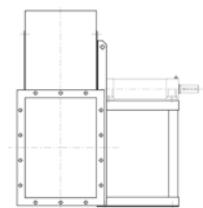
Transmission drive, identical to SYSTEM 1, with the motor and fan mounted on the common bench. Motor positions "W" or "Z" and exceptionally "X" or "Y".

SYSTEM 9



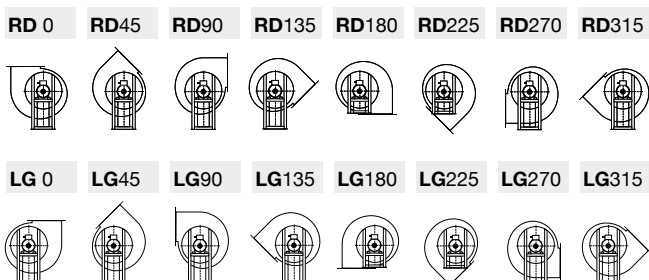
Transmission drive, identical to SYSTEM 1, with the motor mounted on the side of the pedestal, in position "W" or "Z".

SYSTEM 1



Transmission drive, impeller mounted on the support shaft. Support mounted on the pedestal.

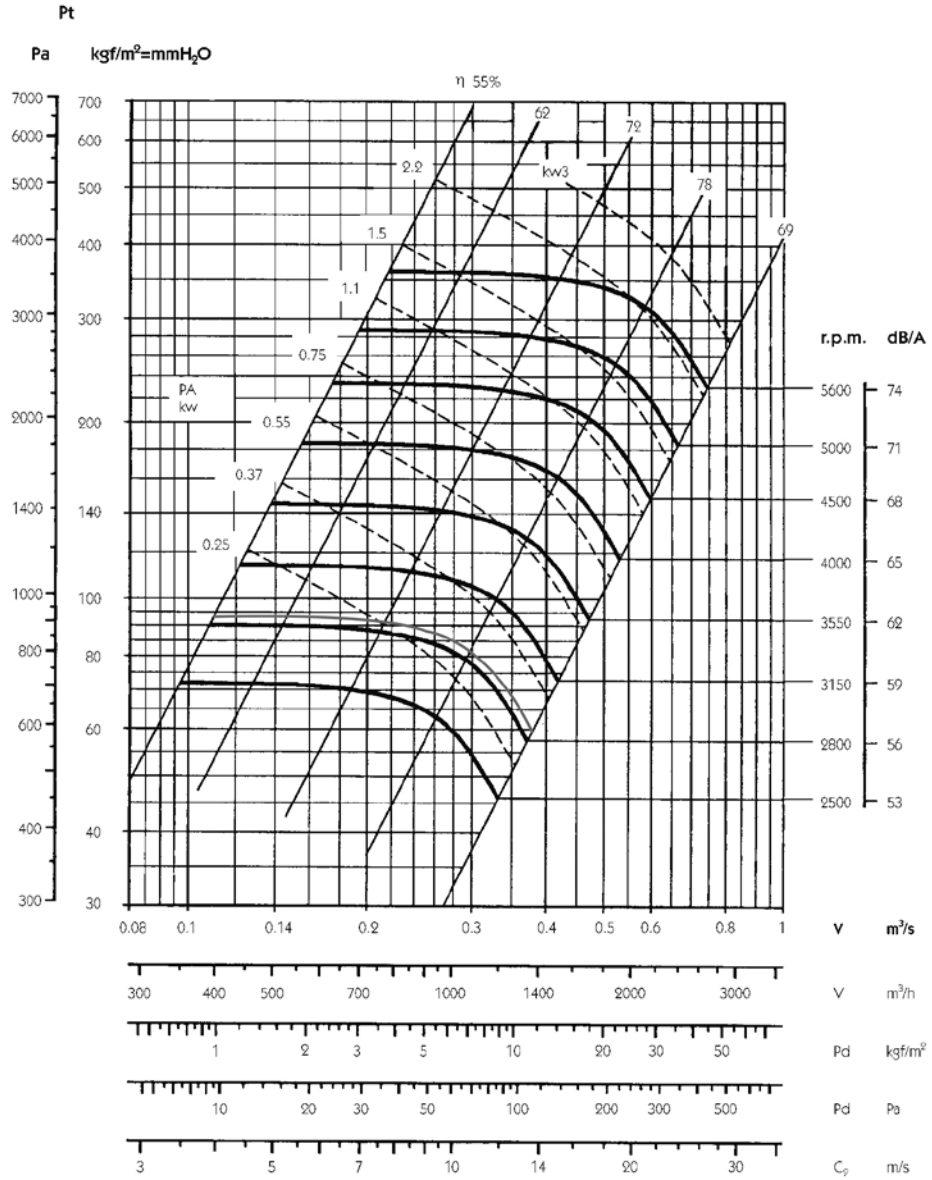
Orientations



LARGE SERIES

Characteristic curves

CASB-X 250



LARGE SERIES

Flow margin ±5%
 Noise level margin + 3... 5 dB
 Margin of kW absorbed ±3%

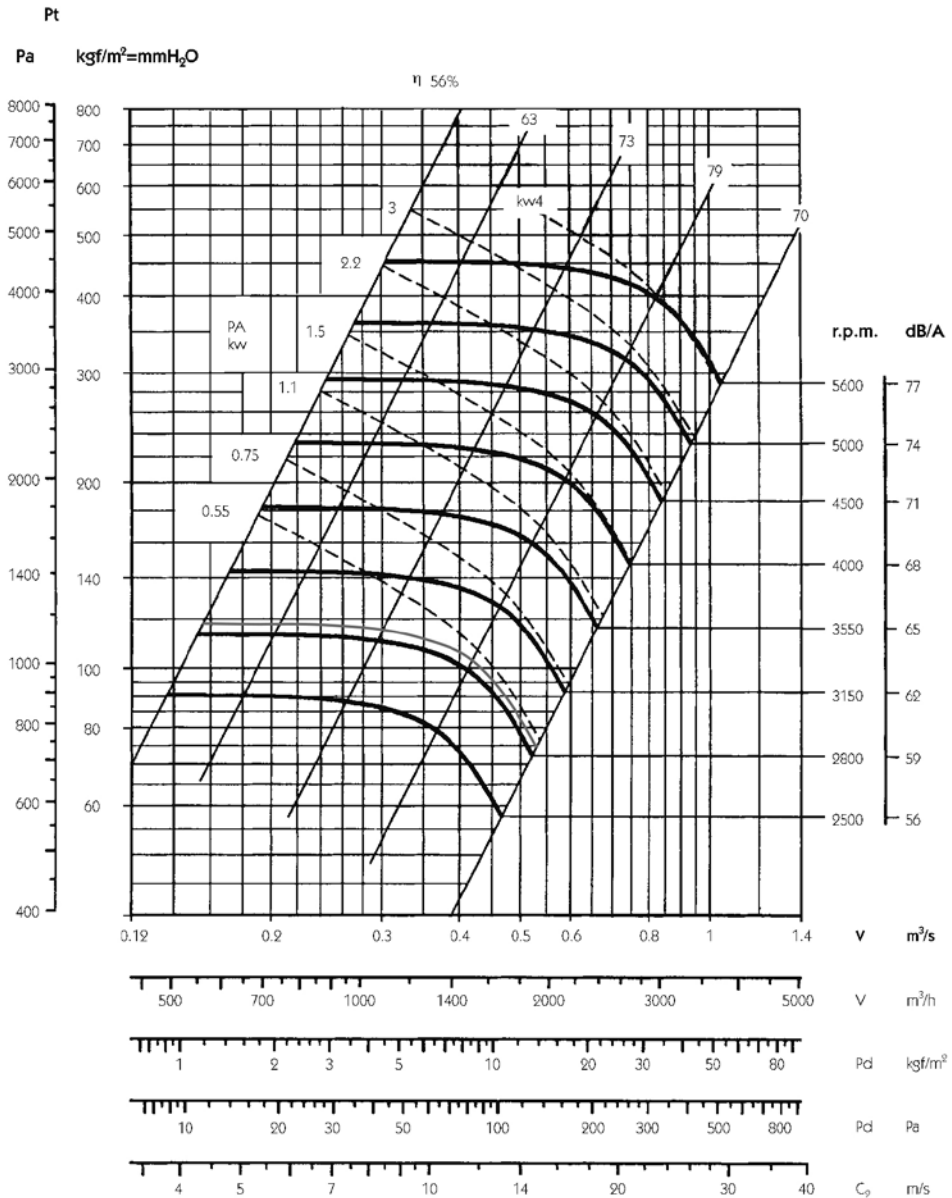
Outlet characteristics.

Maximum admissible Rpm

Class 1	
≤ 100 °C	5000
101 ... 200 °C	4500
201 ... 300 °C	4000

Characteristic curves

CASB-X 280



Flow margin ±5%
 Noise level margin + 3... 5 dB
 Margin of kW absorbed ±3%

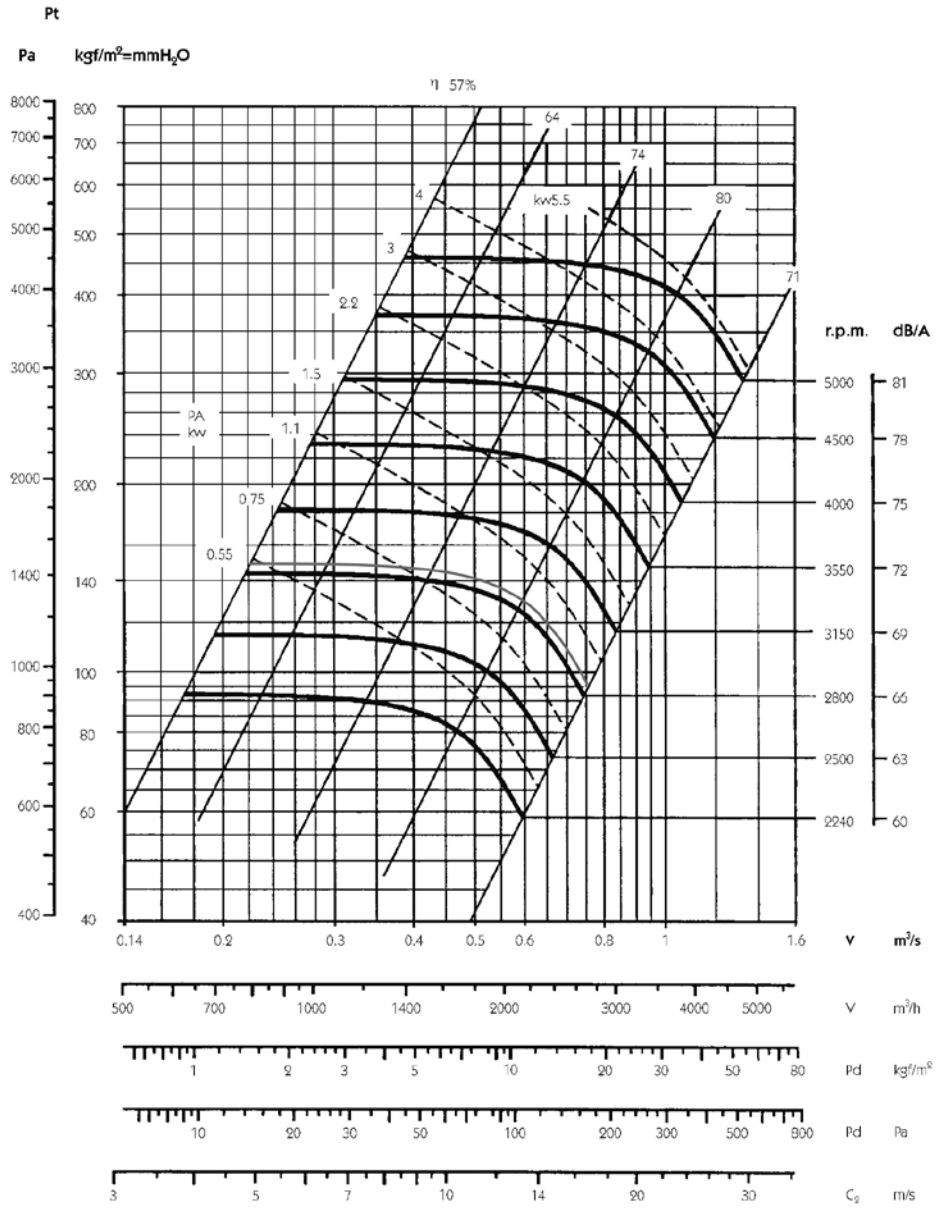
Outlet characteristics.

Maximum admissible Rpm

Class 1	
≤ 100 °C	4750
101 ... 200 °C	4250
201 ... 300 °C	3750

Characteristic curves

CASB-X 310



LARGE SERIES

Flow margin ±5%
 Noise level margin + 3... 5 dB
 Margin of kW absorbed ±3%

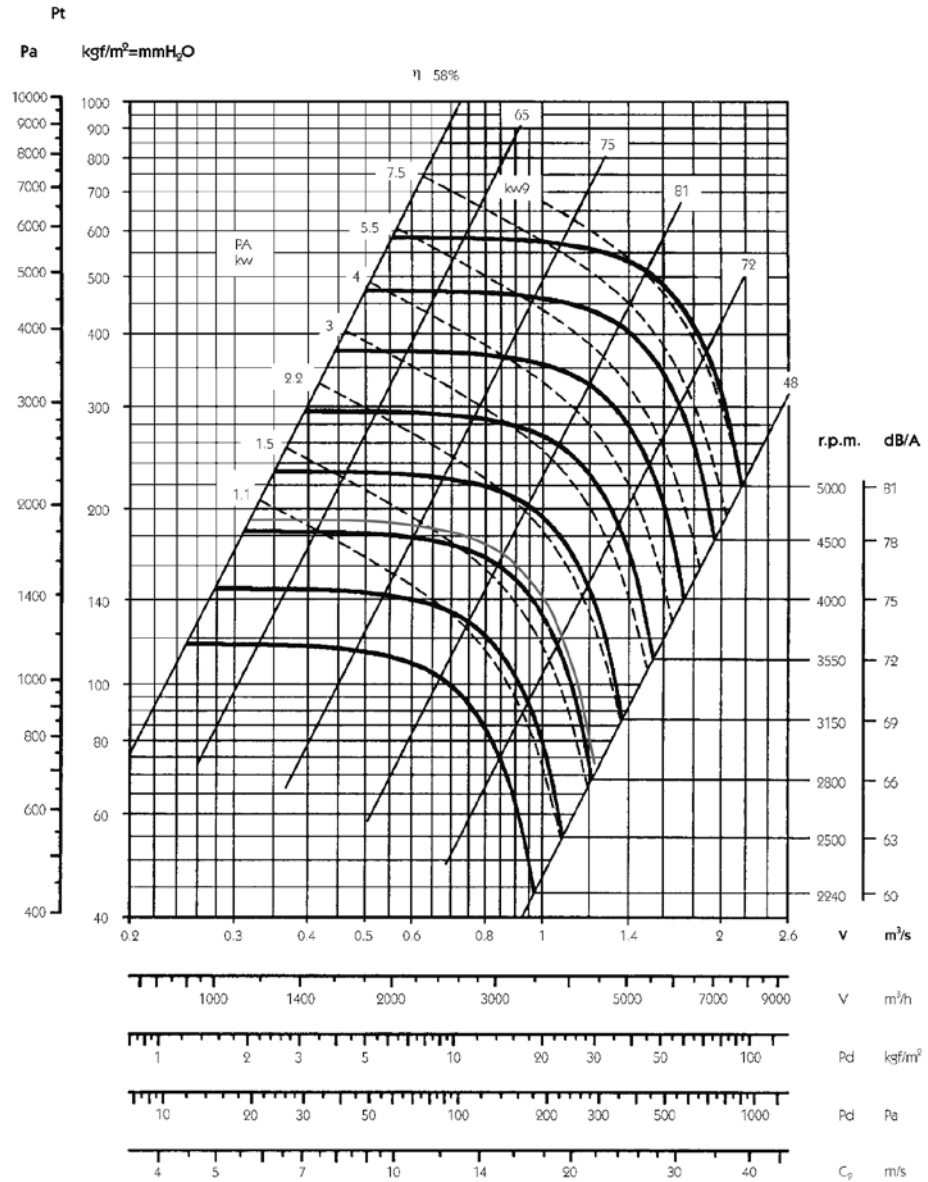
Outlet characteristics.

Maximum admissible Rpm

Class 1	
≤ 100 °C	4500
101 ... 200 °C	4000
201 ... 300 °C	3550

Characteristic curves

CASB-X 350



Flow margin $\pm 5\%$
 Noise level margin + 3... 5 dB
 Margin of kW absorbed $\pm 3\%$

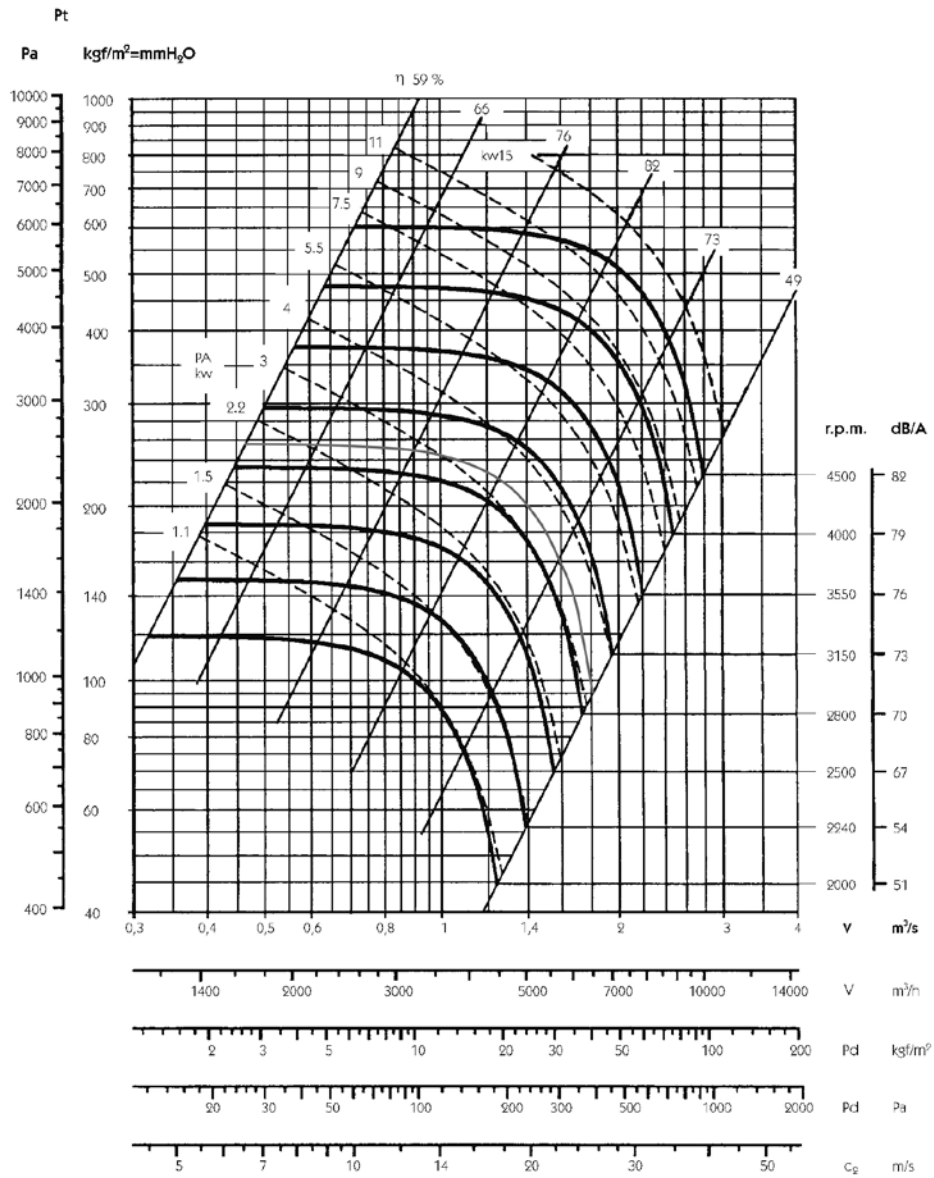
Outlet characteristics.

Maximum admissible Rpm

Class 1	
≤ 100 °C	4250
101 ... 200 °C	3750
201 ... 300 °C	3350

Characteristic curves

CASB-X 400



LARGE SERIES

Flow margin ±5%
 Noise level margin + 3... 5 dB
 Margin of kW absorbed ±3%

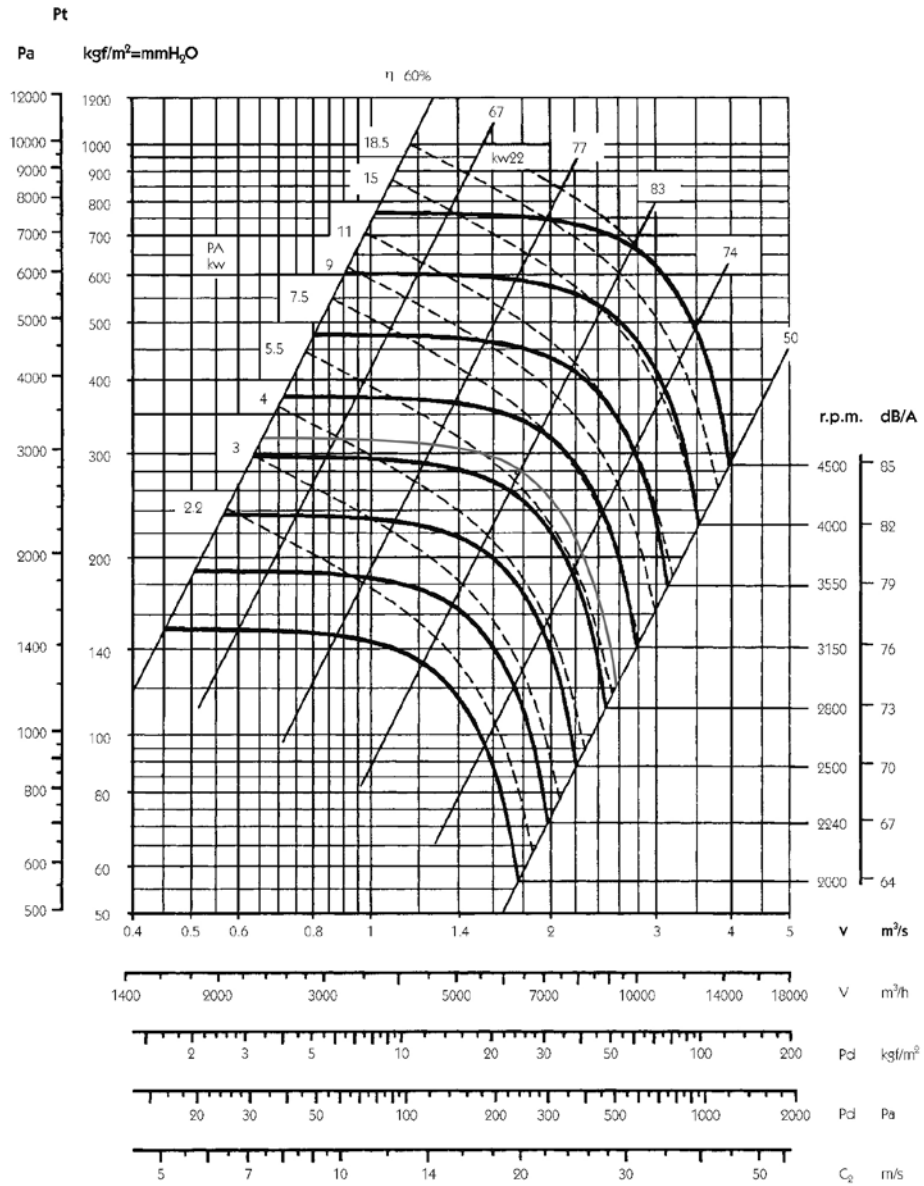
Outlet characteristics.

Maximum admissible Rpm

Class 1	
≤ 100 °C	4000
101 ... 200 °C	3550
201 ... 300 °C	3150

Characteristic curves

CASB-X 450



Flow margin ±5%
 Noise level margin + 3... 5 dB
 Margin of kW absorbed ±3%

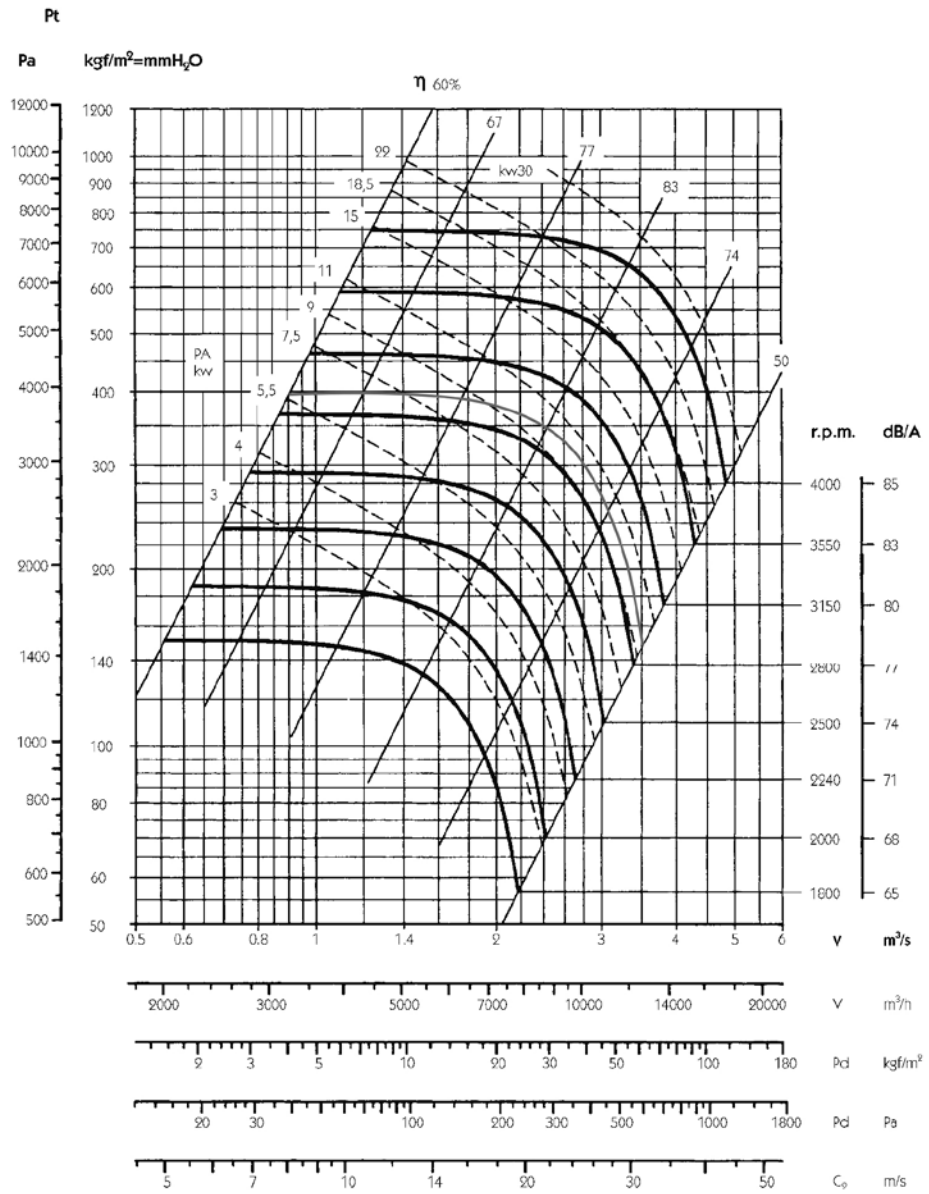
Outlet characteristics.

Maximum admissible Rpm

Class 1	
≤ 100 °C	3750
101 ... 200 °C	3350
201 ... 300 °C	3000

Characteristic curves

CASB-X 500



LARGE SERIES

Flow margin ±5%
 Noise level margin + 3... 5 dB
 Margin of kW absorbed ±3%

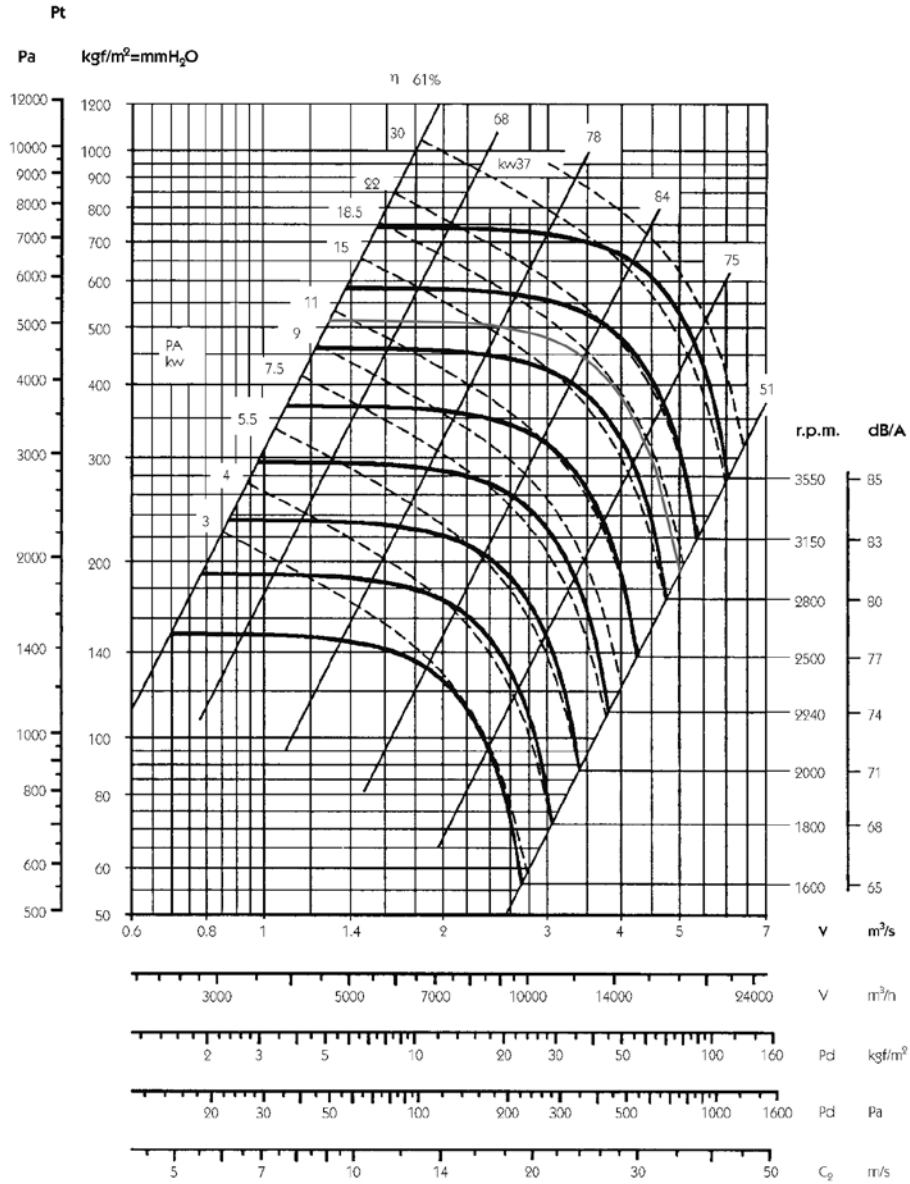
Outlet characteristics.

Maximum admissible Rpm

Class 1	
≤ 100 °C	3550
101 ... 200 °C	3150
201 ... 300 °C	2800

Characteristic curves

CASB-X 560



Flow margin ±5%
 Noise level margin + 3... 5 dB
 Margin of kW absorbed ±3%

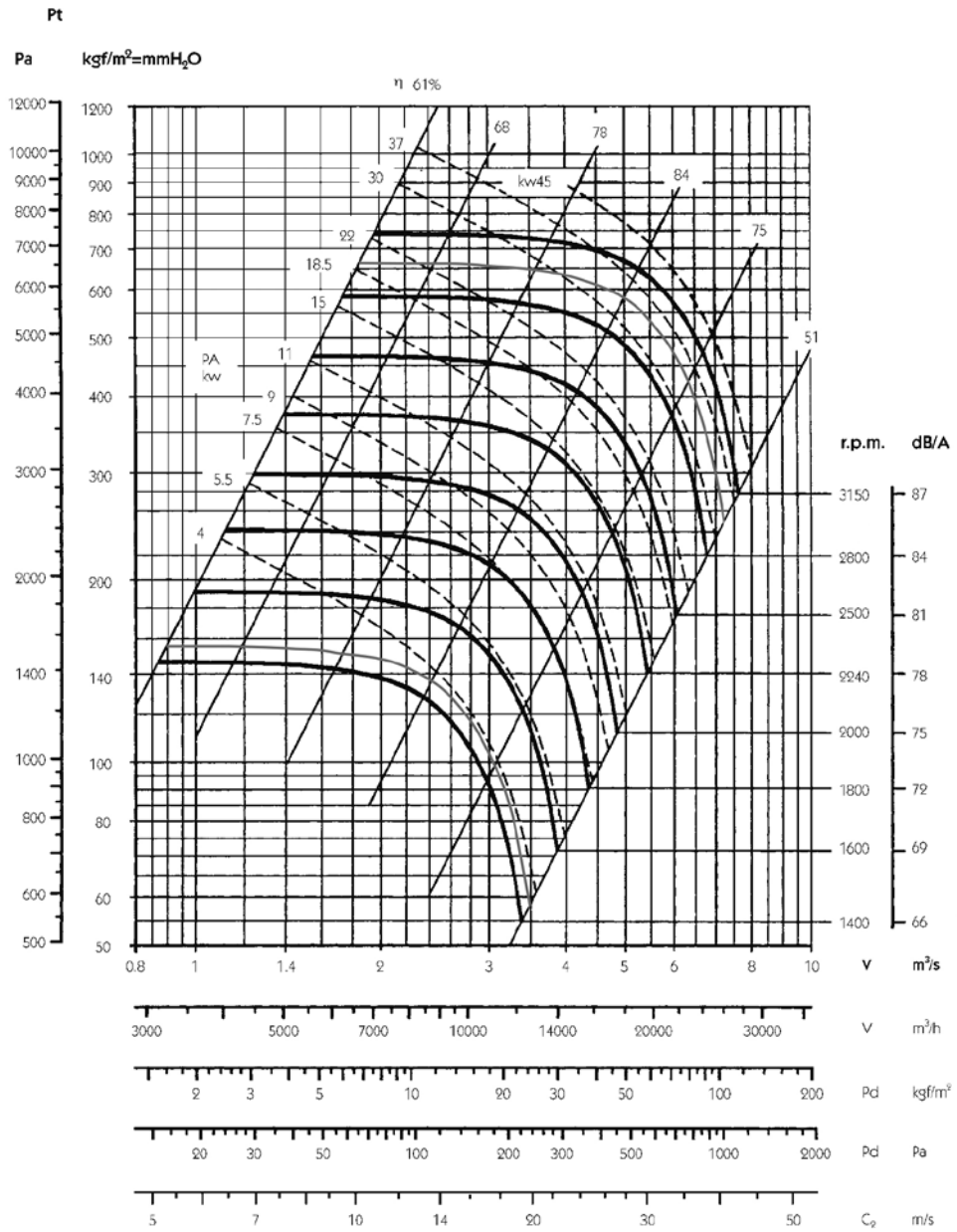
Outlet characteristics.

Maximum admissible Rpm

Class 1	
≤ 100 °C	3350
101 ... 200 °C	3000
201 ... 300 °C	2650

Characteristic curves

CASB-X 630



Flow margin ±5%
 Noise level margin + 3... 5 dB
 Margin of kW absorbed ±3%

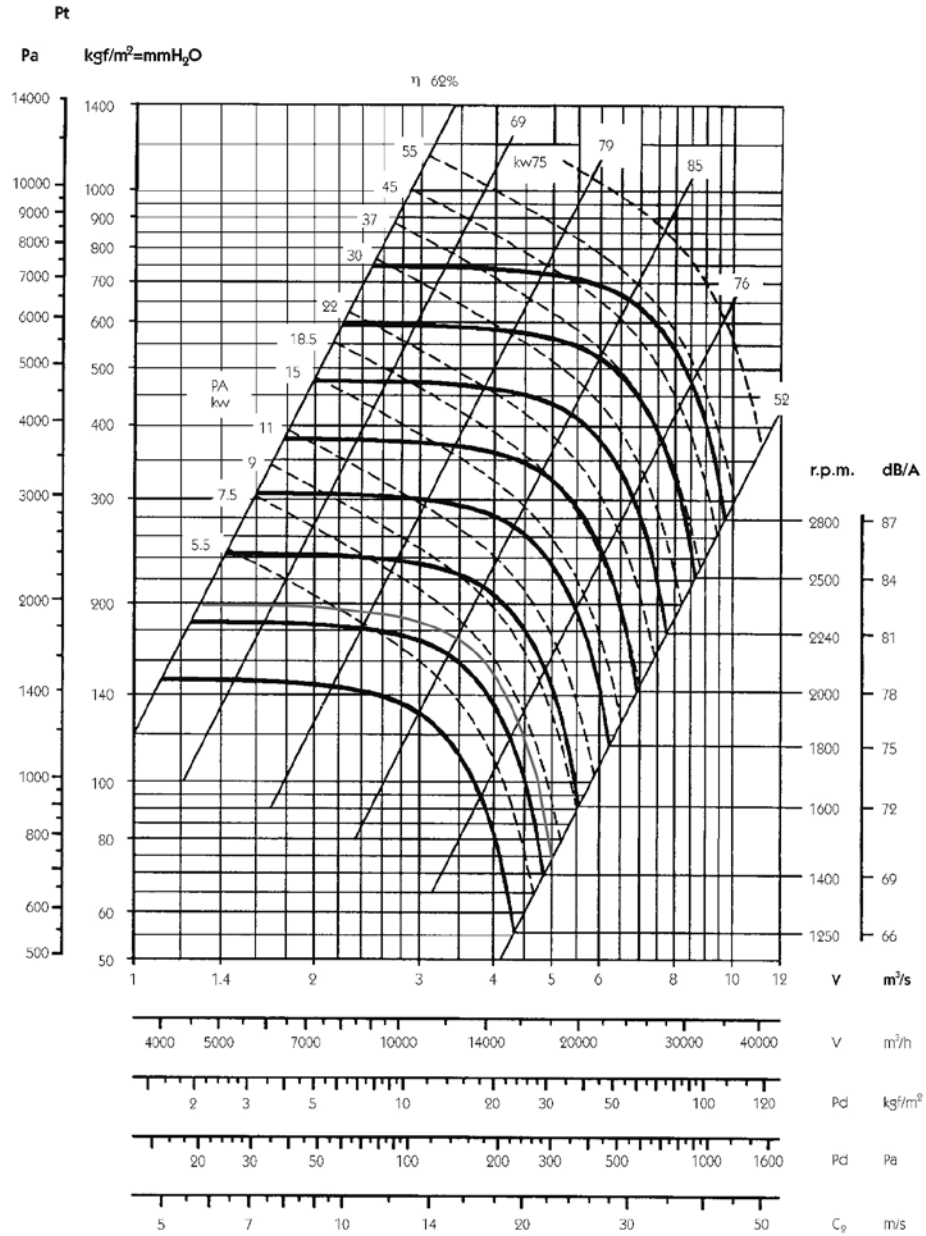
Outlet characteristics.

Maximum admissible Rpm

Class 1	
≤ 100 °C	3150
101 ... 200 °C	2800
201 ... 300 °C	2500

Characteristic curves

CASB-X 710



Flow margin $\pm 5\%$
 Noise level margin + 3... 5 dB
 Margin of kW absorbed $\pm 3\%$

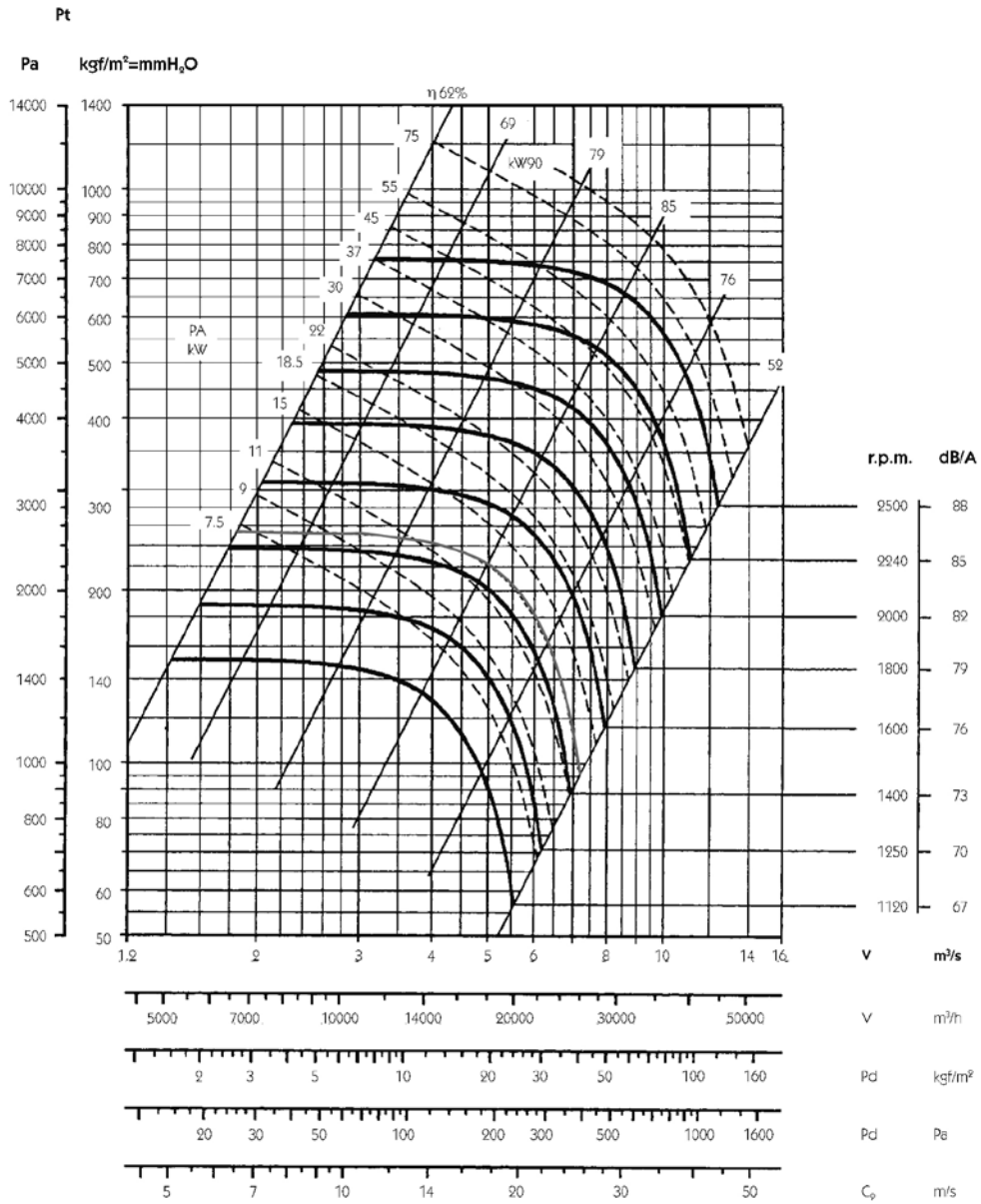
Outlet characteristics.

Maximum admissible Rpm

Class 1	
≤ 100 °C	2800
101 ... 200 °C	2500
201 ... 300 °C	2240

Characteristic curves

CASB-X 800



LARGE SERIES

Flow margin ±5%
 Noise level margin + 3... 5 dB
 Margin of kW absorbed ±3%

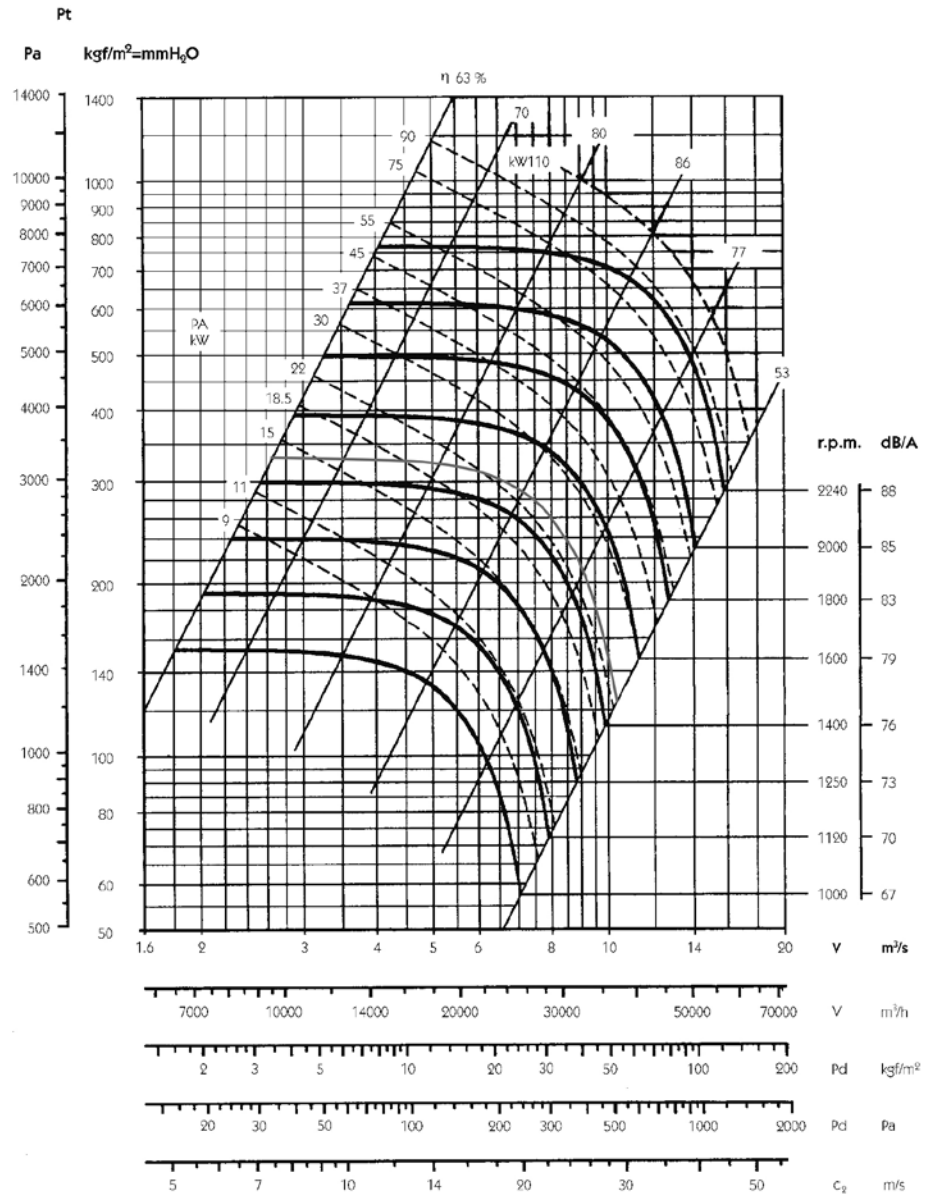
Outlet characteristics.

Maximum admissible Rpm

Class 1	
≤ 100 °C	2500
101 ... 200 °C	2240
201 ... 300 °C	2000

Characteristic curves

CASB-X 900



Flow margin ±5%
 Noise level margin + 3... 5 dB
 Margin of kW absorbed ±3%

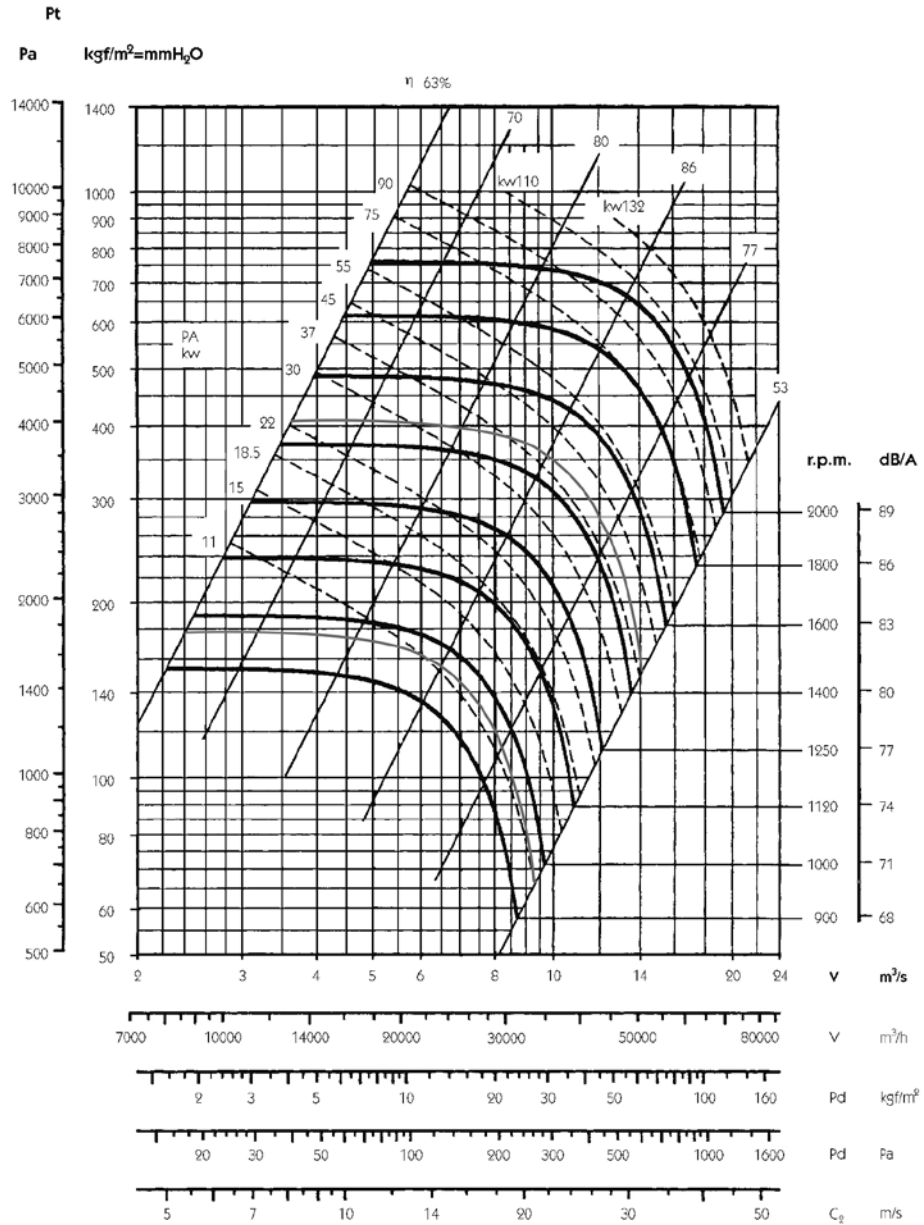
Outlet characteristics.

Maximum admissible Rpm

Class 1	
≤ 100 °C	2240
101 ... 200 °C	2000
201 ... 300 °C	1800

Characteristic curves

CASB-X 1000



LARGE SERIES

Flow margin $\pm 5\%$
 Noise level margin + 3... 5 dB
 Margin of kW absorbed $\pm 3\%$

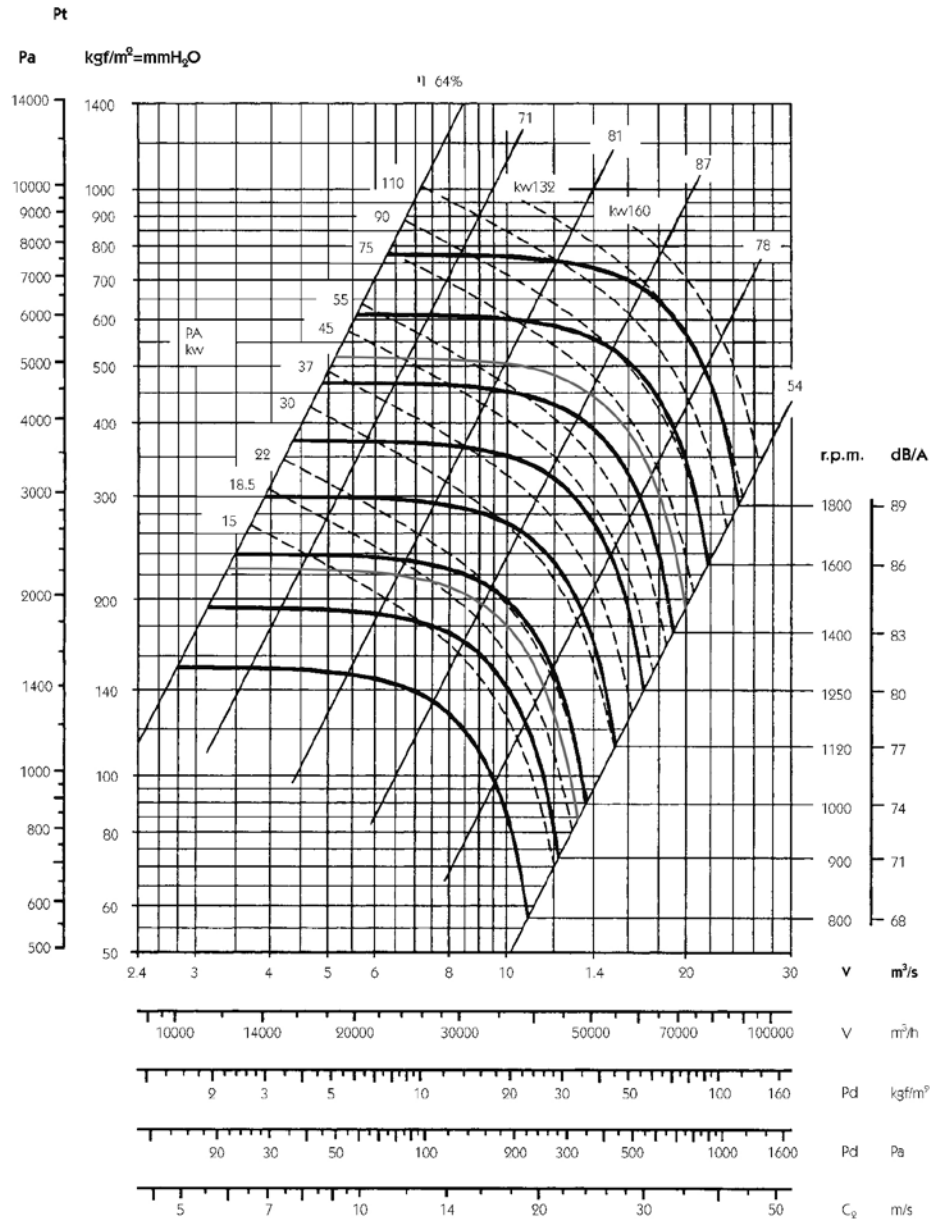
Outlet characteristics.

Maximum admissible Rpm

Class 1	
$\leq 100^\circ\text{C}$	2000
101 ... 200 $^\circ\text{C}$	1800
201 ... 300 $^\circ\text{C}$	1600

Characteristic curves

CASB-X 1120



Flow margin ±5%
 Noise level margin + 3... 5 dB
 Margin of kW absorbed ±3%

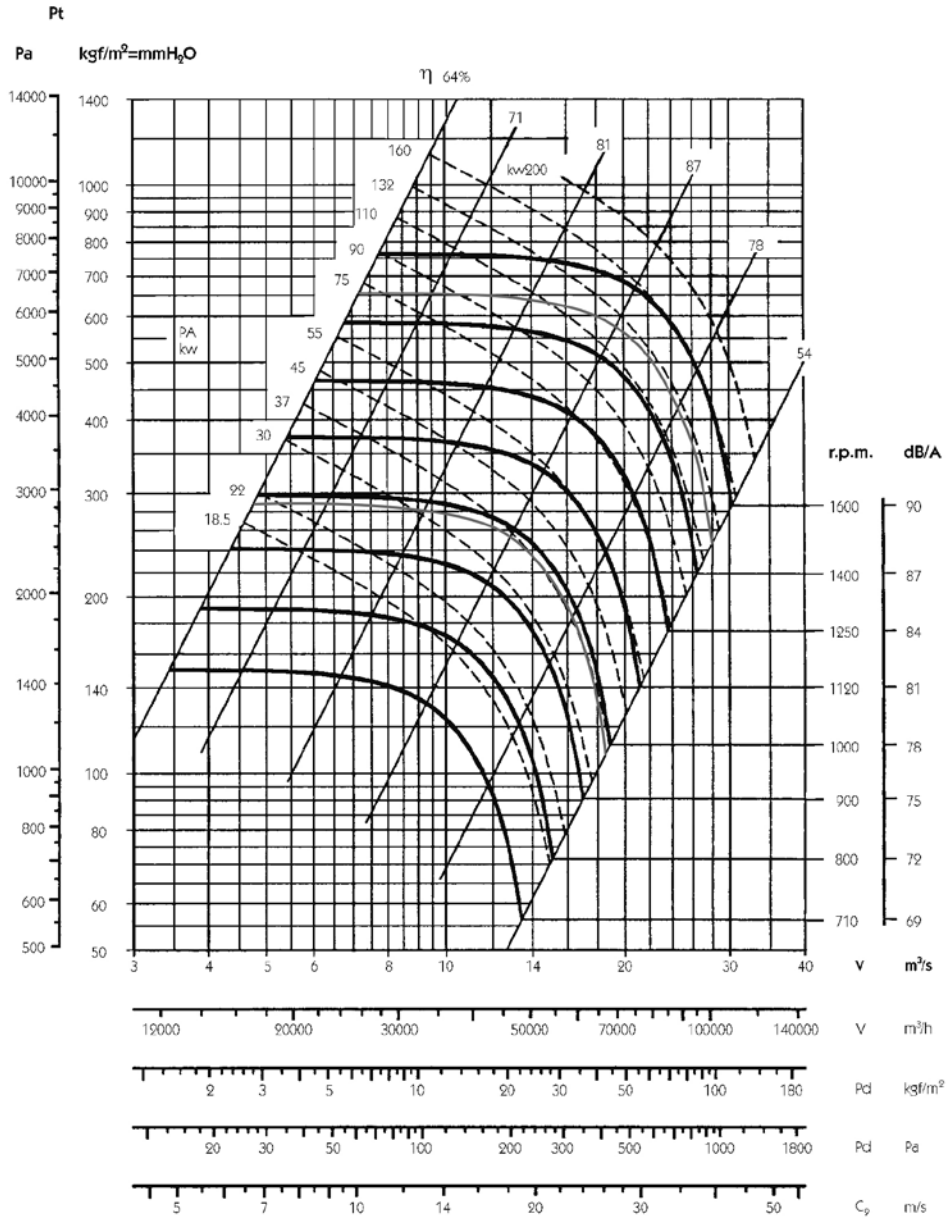
Outlet characteristics.

Maximum admissible Rpm

Class 1	
≤ 100 °C	1800
101 ... 200 °C	1600
201 ... 300 °C	1400

Characteristic curves

CASB-X 1250



LARGE SERIES

Flow margin ±5%
 Noise level margin + 3... 5 dB
 Margin of kW absorbed ±3%

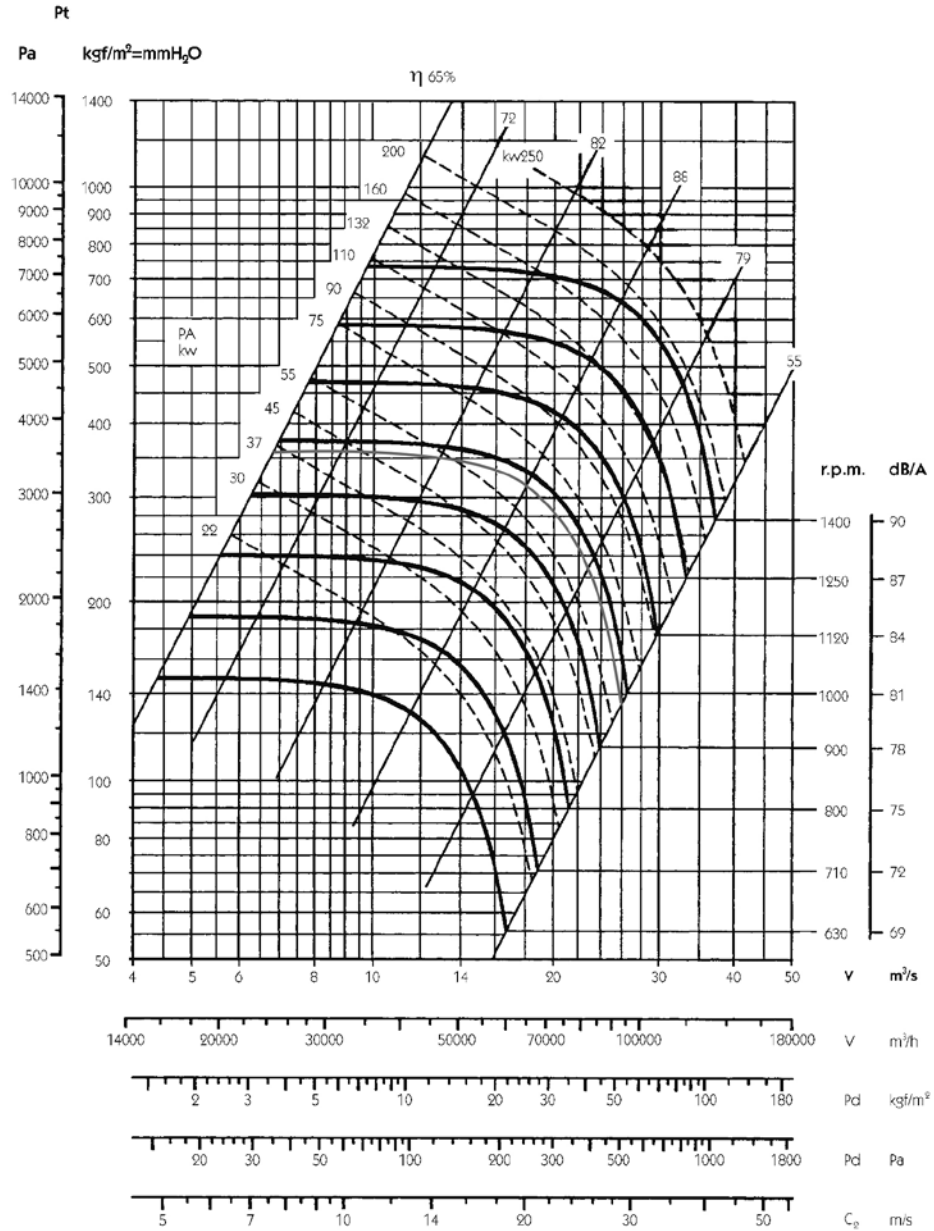
Outlet characteristics.

Maximum admissible Rpm

Class 1	
≤ 100 °C	1600
101 ... 200 °C	1400
201 ... 300 °C	1250

Characteristic curves

CASB-X 1400



Flow margin ±5%
 Noise level margin + 3... 5 dB
 Margin of kW absorbed ±3%

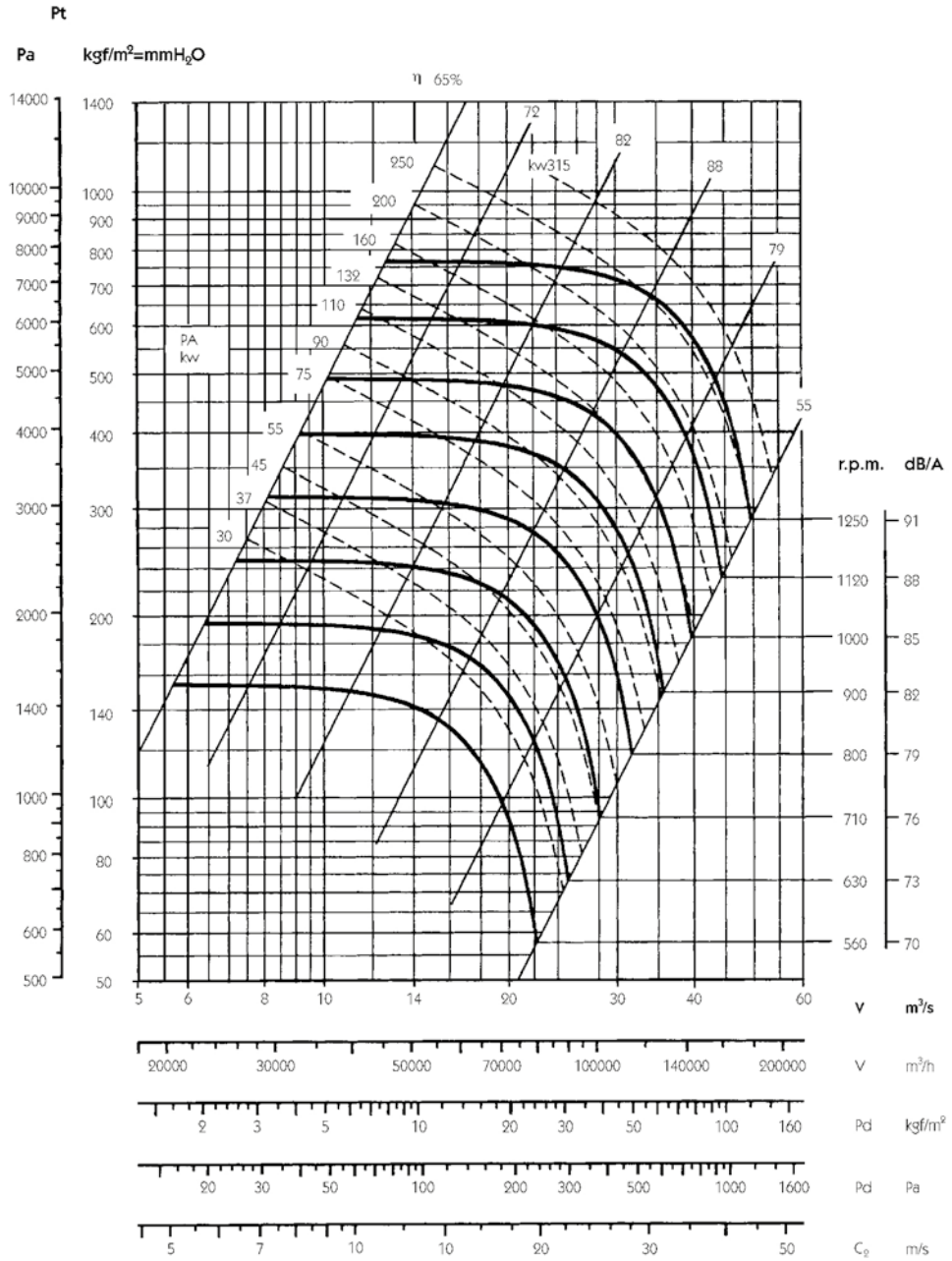
Outlet characteristics.

Maximum admissible Rpm

Class 1	
≤ 100 °C	1400
101 ... 200 °C	1250
201 ... 300 °C	1120

Characteristic curves

CASB-X 1600



LARGE SERIES

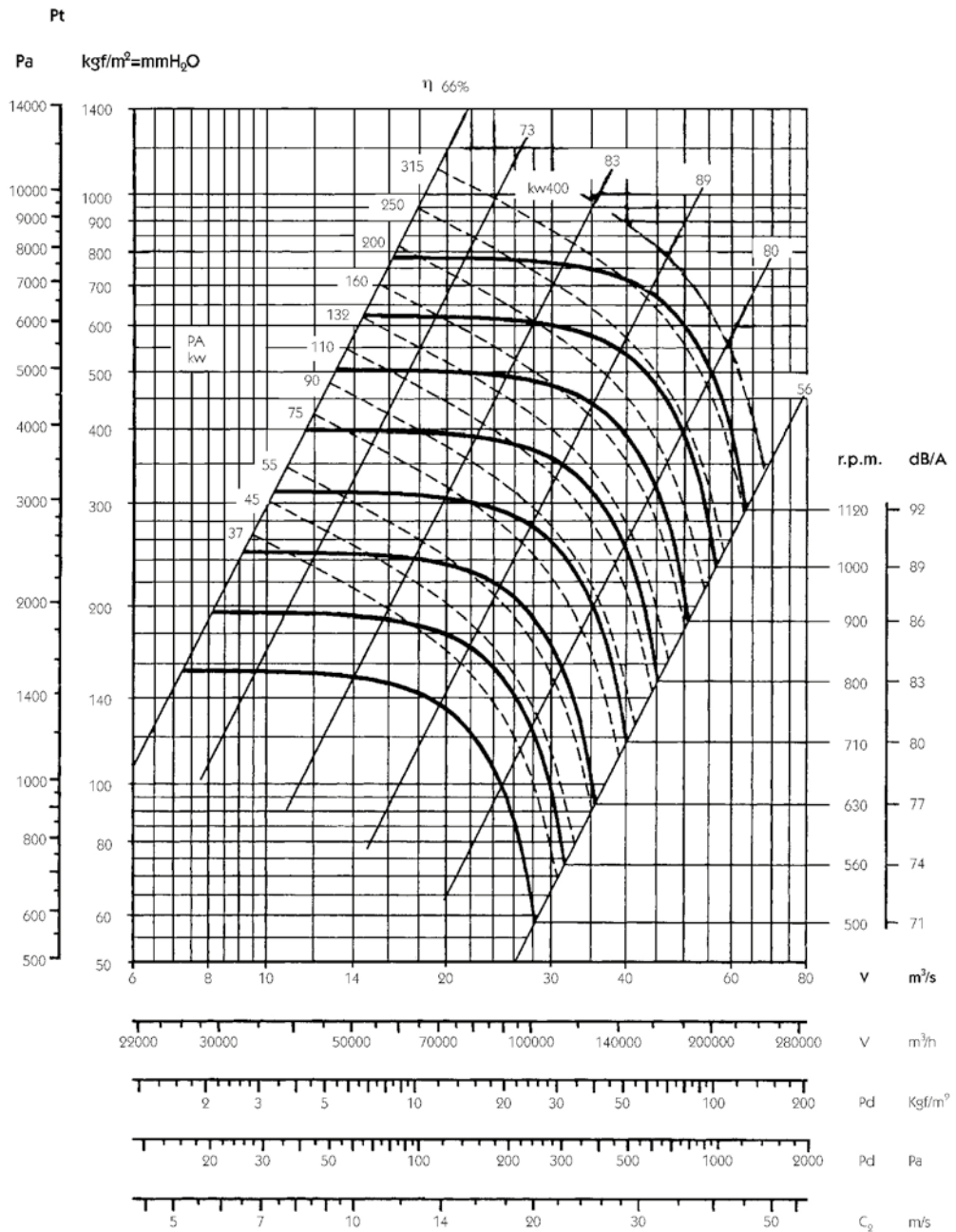
Flow margin ±5%
 Noise level margin + 3... 5 dB
 Margin of kW absorbed ±3%

Maximum admissible Rpm

Class 1	
≤ 100 °C	1250
101 ... 200 °C	1120
201 ... 300 °C	1000

Characteristic curves

CASB-X 1800



Flow margin ±5%
 Noise level margin + 3... 5 dB
 Margin of kW absorbed ±3%

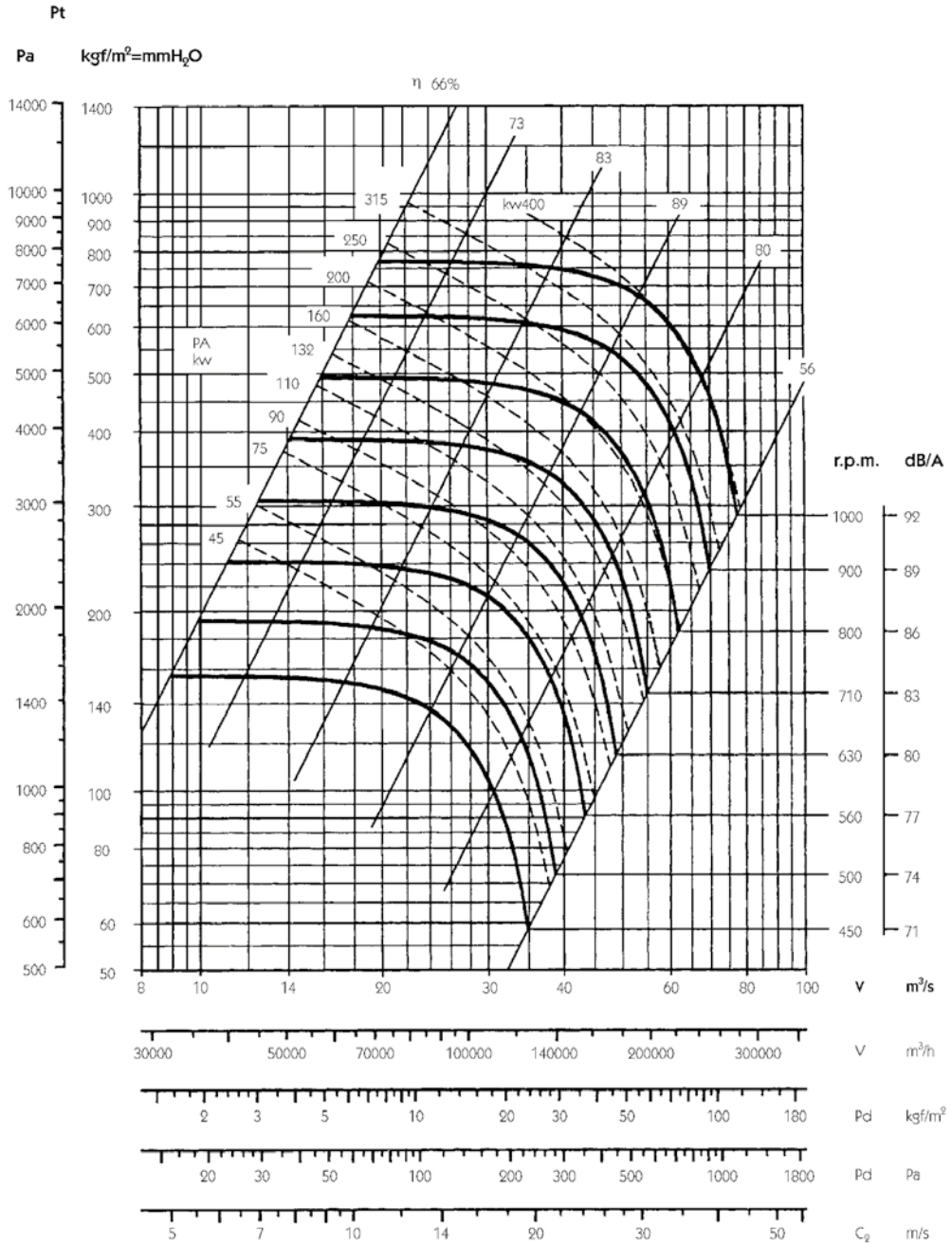
Maximum admissible Rpm

Class 1	
≤ 100 °C	1120
101 ... 200 °C	1000
201 ... 300 °C	900

LARGE SERIES

Characteristic curves

CASB-X 2000



LARGE SERIES

Flow margin ±5%
 Noise level margin + 3... 5 dB
 Margin of kW absorbed ±3%

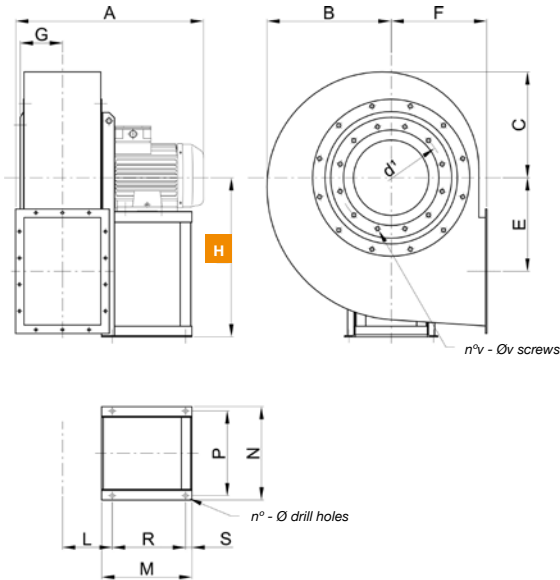
Maximum admissible Rpm

Class 1	
≤ 100 °C	1000
101 ... 200 °C	900
201 ... 300 °C	800

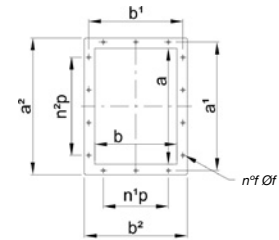
Dimensions mm

SYSTEM
4

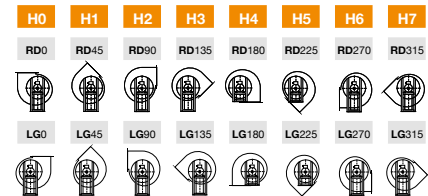
CASB 350...500



OUTLET NOZZLE



ORIENTATIONS



H *The measurement of height H (distance between the ground and the axis) varies depending on the orientations

MOD.	FRAME	A*	B	C	E	F	G	HO-1-2-3	H4-5	H6-7	L	M*	N	P	R*	S
CASB 350	90 L/2	535	335	285	253	255	114	450	255	450	155	215	269	245	140	25
CASB 400	112 M/2	585	380	320	286	285	128	500	285	500	168	260	312	280	185	25
CASB 450	132 SB/2	700	425	360	321	320	143	560	320	560	182	320	342	310	245	25
CASB 500	160 MA/2	805	470	405	355	360	158	600	360	600	198	425	440	400	345	30
CASB 500	90 S/4	590	470	405	355	360	158	600	360	600	198	215	269	245	140	25

OUTLET NOZZLE

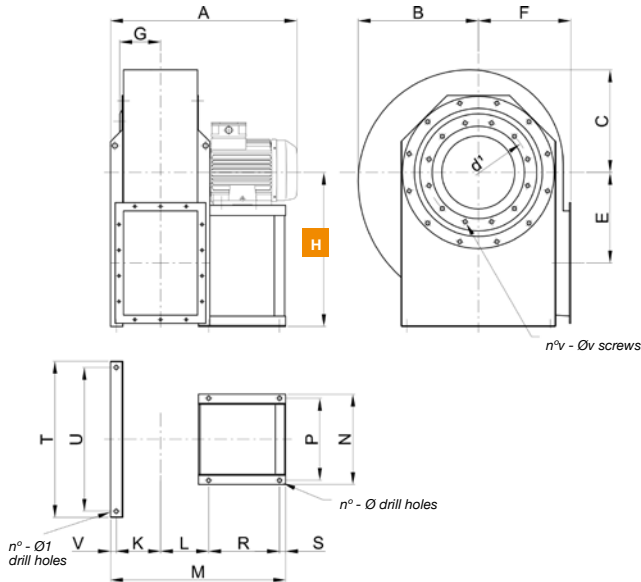
MOD.	n°	Ø	d1	n°v	Øv	a	b	a'	b'	a²	b²	n°p	n°p'	n°f	Øf	kg	WD²
CASB 350	4	10	332	8	M8	288	205	332	249	368	285	1-125	2-125	10	12	65	0.4
CASB 400	4	12	366	8	M8	322	229	366	273	402	309	1-125	2-125	10	12	110	0.75
CASB 450	4	12	405	8	M8	361	256	405	300	441	336	1-125	2-125	10	12	145	1.1
CASB 500	4	14	448	12	M8	404	288	448	332	484	368	2-125	3-125	14	12	220	2.2
CASB 500	4	10	448	12	M8	404	288	448	332	484	368	2-125	3-125	14	12	125	2.3

*For "HIGH TEMP." constructions, elevations "A-M-R" + 50 mm.
(kg) Weight of fan with motor.
WD² = Moment of inertia of the impeller, expressed in Kg x m²

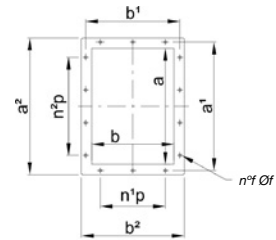
Dimensions mm

SYSTEM
4

CASB 560...630



OUTLET NOZZLE



ORIENTATIONS

H0	H1	H2	H3	H4	H5	H6	H7
RD0	RD45	RD90	RD135	RD180	RD225	RD270	RD315
LG0	LG45	LG90	LG135	LG180	LG225	LG270	LG315

H *The measurement of height H (distance between the ground and the axis) varies depending on the orientations

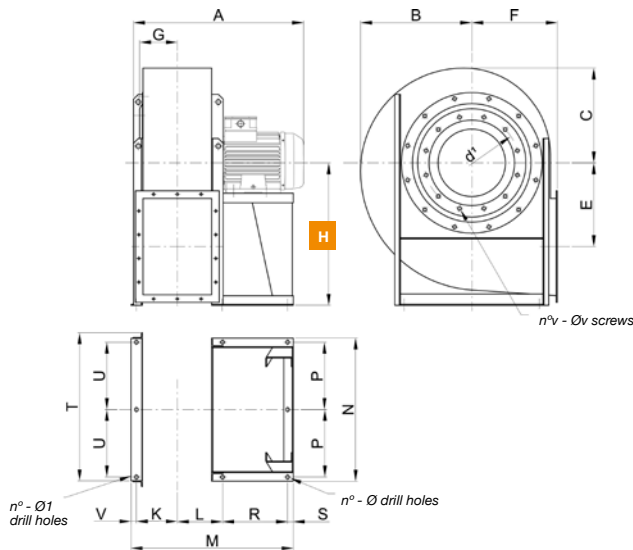
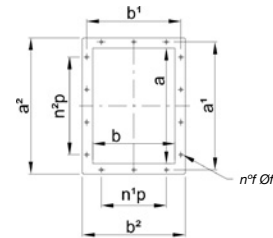
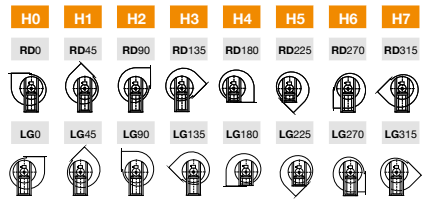
MOD.	FRAME	A*	B	C	E	F	G	HO-1-2-3	H4-5	H6-7	L	K	M*	N	P	R*	S	T
CASB 560/B	160 MB/2	870	525	445	390	400	179	670	400	670	214	196	808	440	400	345	30	690
CASB 560/A	160 L/2	950	525	445	390	400	179	670	400	670	214	196	808	440	400	345	30	690
CASB 560/A	100 LA/4	710	525	445	390	400	179	670	400	670	214	196	634	312	280	185	25	690
CASB 630/B	200 LA/2	1060	590	505	441	450	199	750	450	750	264	217	964	558	515	420	40	760
CASB 630/A	200 LB/2	1060	590	505	441	450	199	750	450	750	264	217	964	558	515	420	40	760
CASB 630/A	112 M/4	720	590	505	441	450	199	750	450	750	234	217	654	312	280	185	25	760

OUTLET NOZZLE

MOD.	U	V	n°	Ø	Ø¹	d¹	n°v	Øv	a	b	a¹	b¹	a²	b²	n¹p	n²p	n¹f	Øf	kg	WD²
CASB 560/B	630	23	4+2	14	17	497	12	M8	453	322	497	366	533	402	2-125	3-125	14	12	275	3.5
CASB 560/A	630	23	4+2	14	17	497	12	M8	453	322	497	366	533	402	2-125	3-125	14	12	285	3.8
CASB 560/A	630	23	4+2	12	17	497	12	M8	453	322	497	366	533	402	2-125	3-125	14	12	140	3.7
CASB 630/B	700	23	4+2	19	17	551	12	M8	507	361	551	405	587	441	2-125	3-125	14	12	370	5.4
CASB 630/A	700	23	4+2	19	17	551	12	M8	507	361	551	405	587	441	2-125	3-125	14	12	400	5.9
CASB 630/A	700	23	4+2	12	17	551	12	M8	507	361	551	405	587	441	2-125	3-125	14	12	170	5.7

*For "HIGH TEMP." constructions, elevations "A-M-R" + 50 mm.
(kg) Weight of fan with motor.
WD² = Moment of inertia of the impeller, expressed in Kg x m²

LARGE SERIES

Dimensions mm
CASB 710...1400

OUTLET NOZZLE

ORIENTATIONS


H *The measurement of height H (distance between the ground and the axis) varies depending on the orientations

MOD.	FRAME	A*	B	C	E	F	G	HO-1-2-3	H4-5	H6-7	L	K	M*	N	P	R*	S	T
CASB 710/B	132 S/4	890	670	570	500	500	221	670	500	850	251	243	793	831	385	230	40	920
CASB 710/A	132 MA/4	915	670	570	500	500	221	670	500	850	251	243	793	831	385	230	40	920
CASB 800/B	160 L/4	965	745	635	560	560	245	750	560	950	276	267	842	921	430	230	40	1000
CASB 800/A	160 L/4	1090	745	635	560	560	245	750	560	950	276	267	947	921	430	335	40	1000
CASB 800/A	132 MA/6	965	745	635	560	560	245	750	560	950	276	267	842	921	430	230	40	1000
CASB 900/B	180 M/4	1185	835	710	630	630	275	850	630	1060	303	297	1046	1021	480	380	40	1100
CASB 900/A	200 L/4	1245	835	710	630	630	275	850	630	1060	303	297	1116	1021	480	450	40	1100
CASB 900/A	160 M/6	1065	835	710	630	630	275	850	630	1060	303	297	1001	1021	480	335	40	1100
CASB 1000/B	225 S/4	1365	930	795	710	710	306	950	710	1180	334	323	1198	1120	530	450	50	1230
CASB 1000/A	225 M/4	1365	930	795	710	710	306	950	710	1180	334	323	1198	1120	530	450	50	1230
CASB 1000/B	160 L/6	1215	930	795	710	710	306	950	710	1180	334	323	1073	1120	530	325	50	1230
CASB 1000/A	180 L/6	1255	930	795	710	710	306	950	710	1180	334	323	1118	1120	530	370	50	1230
CASB 1120/B	250 M/4	1530	1045	895	800	800	340	1060	800	1320	398	365	1357	1260	590	490	50	1370
CASB 1120/A	280 S/4	1655	1045	895	800	800	340	1060	800	1320	398	365	1477	1260	590	610	50	1370
CASB 1120/B	200 LR/6	1405	1045	895	800	800	340	1060	800	1320	398	365	1277	1260	590	410	50	1370
CASB 1120/A	200 L/6	1405	1045	895	800	800	340	1060	800	1320	398	365	1277	1260	590	410	50	1370
CASB 1250/B	315 S/4	1750	1175	1005	900	900	385	1180	900	1500	437	403	1614	1390	650	670	50	1540
CASB 1250/A	315 MA/4	1750	1175	1005	900	900	385	1180	900	1500	437	403	1614	1390	650	670	50	1540
CASB 1250/B	225 M/6	1530	1175	1005	900	900	385	1180	900	1500	437	403	1364	1390	650	420	50	1540
CASB 1250/A	250 M/6	1605	1175	1005	900	900	385	1180	900	1500	437	403	1434	1390	650	490	50	1540
CASB 1400/B	280 S/6	1815	1305	1115	1000	1000	430	1320	1000	1700	500	446	1640	1530	725	580	60	1690
CASB 1400/A	315 S/6	1835	1305	1115	1000	1000	430	1320	1000	1700	500	446	1700	1530	725	640	60	1690

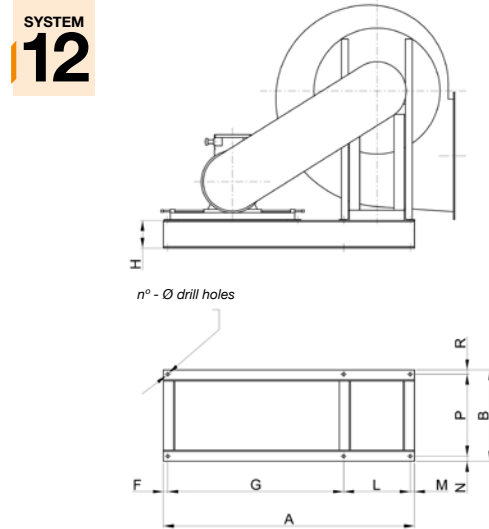
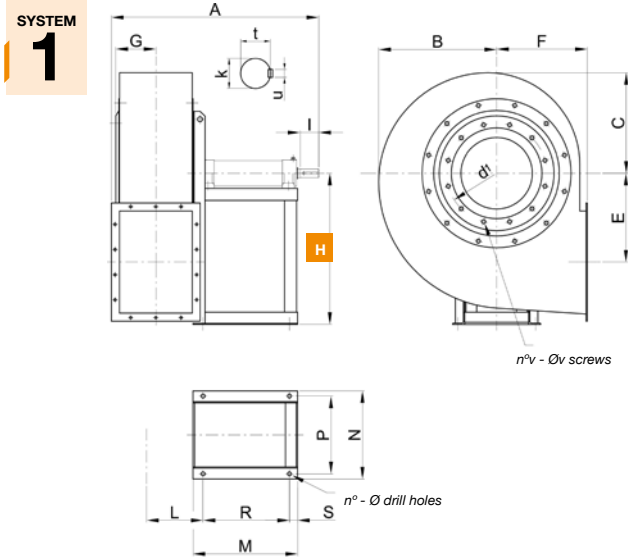
OUTLET NOZZLE

MOD.	U	V	n°	Ø	Ø'	d'	n°v	Øv	a	b	a'	b'	a²	b²	n°p	n°p'	n°f	øf	kg	WD²
CASB 710/B	385	29	5+3	19	19	629	12	M8	569	404	629	464	669	504	2-160	3-160	14	14	270	10.1
CASB 710/A	385	29	5+3	19	19	629	12	M8	569	404	629	464	669	504	2-160	3-160	14	14	280	11
CASB 800/B	430	29	5+3	19	19	698	12	M10	638	453	698	513	738	553	2-160	3-160	14	14	330	17.2
CASB 800/A	430	29	5+3	19	19	698	12	M10	638	453	698	513	738	553	2-160	3-160	14	14	405	19.1
CASB 800/A	430	29	5+3	19	19	698	12	M10	638	453	698	513	738	553	2-160	3-160	14	14	330	18.6
CASB 900/B	480	26	5+3	19	19	775	16	M10	715	507	775	567	815	607	2-160	4-160	16	14	420	33
CASB 900/A	480	26	5+3	19	19	775	16	M10	715	507	775	567	815	607	2-160	4-160	16	14	660	36
CASB 900/A	480	26	5+3	19	19	775	16	M10	715	507	775	567	815	607	2-160	4-160	16	14	490	35.5
CASB 1000/B	530	41	5+3	19	19	861	16	M10	801	569	871	639	921	689	2-200	3-200	14	14	750	70
CASB 1000/A	530	41	5+3	19	19	861	16	M10	801	569	871	639	921	689	2-200	3-200	14	14	765	76
CASB 1000/B	530	41	5+3	19	19	861	16	M10	801	569	871	639	921	689	2-200	3-200	14	14	620	65
CASB 1000/A	530	41	5+3	19	19	861	16	M10	801	569	871	639	921	689	2-200	3-200	14	14	640	70
CASB 1120/B	590	54	5+3	24	24	958	16	M10	898	638	968	708	1018	758	3-200	4-200	18	14	1150	89
CASB 1120/A	590	54	5+3	24	24	958	16	M10	898	638	968	708	1018	758	3-200	4-200	18	14	1200	95
CASB 1120/B	590	54	5+3	24	24	958	16	M10	898	638	968	708	1018	758	3-200	4-200	18	14	960	84
CASB 1120/A	590	54	5+3	24	24	958	16	M10	898	638	968	708	1018	758	3-200	4-200	18	14	990	89
CASB 1250/B	655	54	5+3	24	24	1067	24	M10	1007	715	1077	785	1127	835	3-200	4-200	18	14	1480	148
CASB 1250/A	655	54	5+3	24	24	1067	24	M10	1007	715	1077	785	1127	835	3-200	4-200	18	14	1550	170
CASB 1250/B	655	54	5+3	24	24	1067	24	M10	1007	715	1077	785	1127	835	3-200	4-200	18	14	1200	138
CASB 1250/A	655	54	5+3	24	24	1067	24	M10	1007	715	1077	785	1127	835	3-200	4-200	18	14	1330	160
CASB 1400/B	725	54	5+3	24	24	1200	24	M10	1130	801	1210	881	1270	941	3-200	5-200	20	18	1850	255
CASB 1400/A	725	54	5+3	24	24	1200	24	M10	1130	801	1210	881	1270	941	3-200	5-200	20	18	1950	268

*For "HIGH TEMP." constructions, elevations "A-M-R" + 50 mm.
 (kg) Weight of fan with motor.
 WD² = Moment of inertia of the impeller, expressed in Kg x m²

Dimensions mm

CASB-X 250...500



MOD.	A*	B	C	E	F	G	H0	H1	H2	H3
CASB 250	465	240	210	175	195	86	315	315	315	315
CASB 280	560	265	225	202	200	95	375	375	375	375
CASB 310	580	300	255	229	225	105	400	400	400	400
CASB 350	805	335	285	253	255	114	450	450	450	450
CASB 400	930	380	320	286	285	128	500	500	500	500
CASB 450	960	425	360	321	320	143	560	560	560	560
CASB 500	1000	470	405	355	360	158	600	600	600	600

MOD.	A	B*	H	F	G	L	M	N	P*
CASB 250	700	185	80	15	480	190	15	20	145
CASB 280	895	265	100	20	630	230	15	25	215
CASB 310	895	265	100	20	630	230	15	25	215
CASB 350	980	450	120	20	630	310	20	25	400
CASB 400	1020	530	120	20	650	330	20	25	480
CASB 450	1175	530	120	25	800	330	20	25	480
CASB 500	1265	495	160	25	830	385	25	30	430

MOD.	H4	H5	H6	H7	L	M*	N	P	R*	S
CASB 250	195	195	315	315	126	220	214	190	145	25
CASB 280	200	200	375	375	135	290	254	230	215	25
CASB 310	225	225	400	400	144	290	254	230	215	25
CASB 350	255	255	450	450	155	480	350	310	400	30
CASB 400	285	285	500	500	168	560	370	330	480	30
CASB 450	320	320	560	560	182	560	370	330	480	30
CASB 500	360	360	600	600	198	520	438	385	430	40

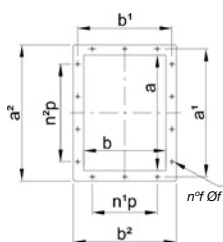
MOD.	R	N°	Φ	kg
CASB 250	20	6	10	19
CASB 280	25	6	12	30
CASB 310	25	6	12	30
CASB 350	25	6	14	45
CASB 400	25	6	14	50
CASB 450	25	6	14	55
CASB 500	35	6	17	78

MOD.	n°	Φ	k	l	t	u	d ¹	n°v	Φv	kg	WD ²
CASB 250	4	10	19k6	40	21.5	6	241	8	M6	25	0.1
CASB 280	4	12	24k6	50	27	8	265	8	M6	35	0.15
CASB 310	4	12	24k6	50	27	8	292	8	M8	40	0.25
CASB 350	4	14	28k6	60	31	8	332	8	M8	70	0.4
CASB 400	4	14	38k6	80	41	10	366	8	M8	80	0.75
CASB 450	4	14	38k6	80	41	10	405	8	M8	100	1.1
CASB 500	4	17	42k6	110	45	12	448	12	M8	140	2.2

(*) For "HIGH TEMP." constructions in models 250 to 500, elevations "B-P" + 50 mm.
Kg = Weight of the support base

(*) For "HIGH TEMP." constructions in models 250 to 500, elevations "A-M-R" + 50 mm.
kg = Weight of fan without motor.
WD² = Moment of inertia of the impeller, expressed in Kg x m²

OUTLET NOZZLE



OUTLET NOZZLE

MOD.	a	b	a ¹	b ¹	a ²	b ²	n°p	n°p	n°f	Φf
CASB 250	205	146	241	182	275	216	1-112	1-112	8	12
CASB 280	229	164	265	200	299	234	1-112	1-112	8	12
CASB 310	256	183	292	219	326	253	1-112	2-112	10	12
CASB 350	288	205	332	249	368	285	1-125	2-125	10	12
CASB 400	322	229	366	273	402	309	1-125	2-125	10	12
CASB 450	361	256	405	300	441	336	1-125	2-125	10	12
CASB 500	404	288	448	332	484	368	2-125	3-125	14	12

ORIENTATIONS

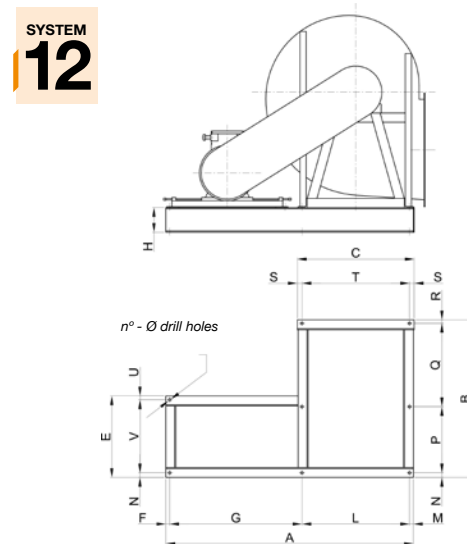
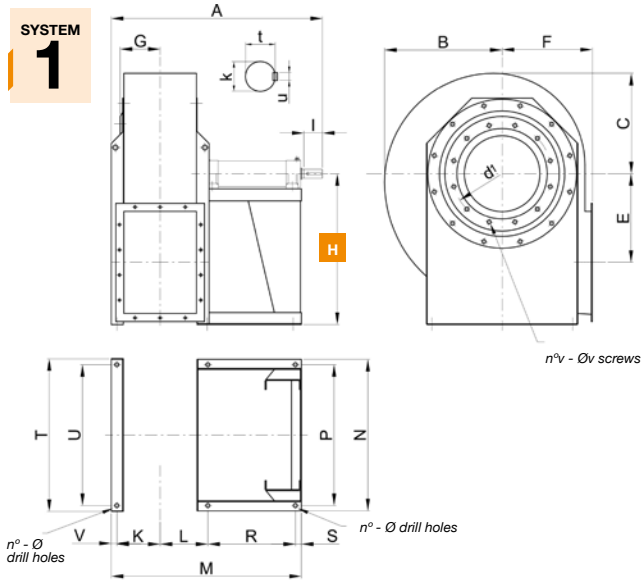
H0	H1	H2	H3	H4	H5	H6	H7
RD0	RD45	RD90	RD135	RD180	RD225	RD270	RD315
LG0	LG45	LG90	LG135	LG180	LG225	LG270	LG315

H *The measurement of height H (distance between the ground and the axis) varies depending on the orientations

LARGE SERIES

Dimensions mm

CASB-X 560...630



MOD.	A*	B	C	E	F	G	H0	H1	H2
CASB 560	1055	525	445	390	400	179	670	670	670
CASB 630	1095	590	505	441	450	199	750	750	750

MOD.	A	B*	C	E	H	F	G	L	M	N	P*
CASB 560	1415	893	690	510	160	25	735	630	25	30	430
CASB 630	1610	933	760	530	160	25	860	700	25	30	430

MOD.	H3	H4	H5	H6	H7	L	K	M*	N
CASB 560	670	400	400	670	670	214	196	903	683
CASB 630	750	450	450	750	750	233	217	943	753

MOD.	Q	R	S	T	U	V	N°	Φ	kg
CASB 560	410	23	30	630	25	455	8	17	105
CASB 630	450	23	30	700	25	475	8	17	115

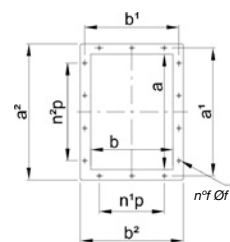
MOD.	P	R*	S	T	U	V	n°	Φ	k
CASB 560	630	430	40	690	630	23	4+2	17	48k6
CASB 630	700	430	40	760	700	23	4+2	17	48k6

MOD.	l	t	u	d'	n°v	Φv	kg	WD ²
CASB 560	110	51.5	14	497	12	M8	170	3.8
CASB 630	110	51.5	14	551	12	M8	200	5.6

(*) For "HIGH TEMP." constructions in models 560 to 630, elevations "A-M-R" + 50 mm.
 kg = Weight of fan without motor.
 WD² = Moment of inertia of the impeller, expressed in Kg x m²

(*) For "HIGH TEMP." constructions in models 560 to 630, elevations "B-P" + 50 mm.
 Kg = Weight of the support base

OUTLET NOZZLE



OUTLET NOZZLE

MOD.	a	b	a'	b'	a''	b''	n°p	n°p	n°f	Φf
CASB 560	453	322	497	366	533	402	2-125	3-125	14	12
CASB 630	507	361	551	405	587	441	2-125	3-125	14	12

ORIENTATIONS

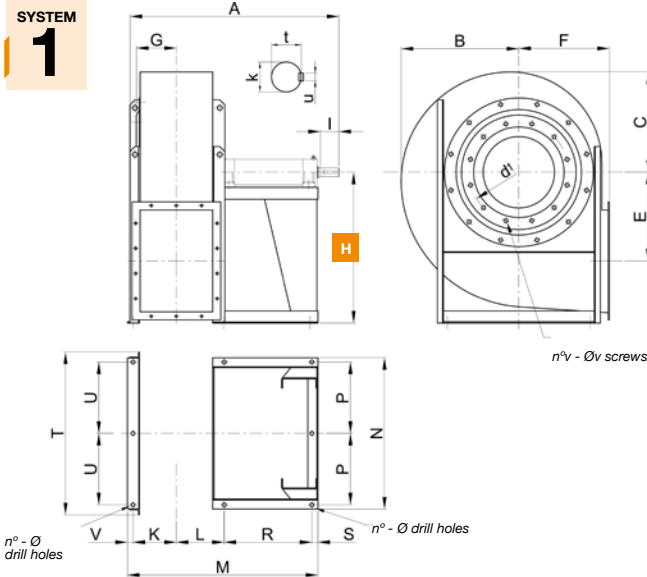
H0	H1	H2	H3	H4	H5	H6	H7
RD0	RD45	RD90	RD135	RD180	RD225	RD270	RD315
LG0	LG45	LG90	LG135	LG180	LG225	LG270	LG315

H *The measurement of height H (distance between the ground and the axis) varies depending on the orientations

Dimensions mm

CASB-X 710...2000

SYSTEM 1



MOD.	A*	B	C	E	F	G	H0	H1	H2	H3
CASB 710	1235	670	570	500	500	221	670	670	670	670
CASB 800	1335	745	635	560	560	245	750	750	750	750
CASB 900	1390	835	710	630	630	275	850	850	850	850
CASB 1000	1545	930	795	710	710	306	950	950	950	950
CASB 1120	1820	1045	895	800	800	340	1060	1060	1060	1060
CASB 1250	1895	1175	1005	900	900	385	1180	1180	1180	1180
CASB 1400	2060	1305	1115	1000	1000	430	1320	1320	1120	1120
CASB 1600	2350	1535	1245	1120	1120	480	1500	1500	1250	1250
CASB 1800	2530	1705	1390	1250	1250	515	1650	1550	1400	1320
CASB 2000	2650	1920	1555	1400	1400	575	1850	1700	1600	1450

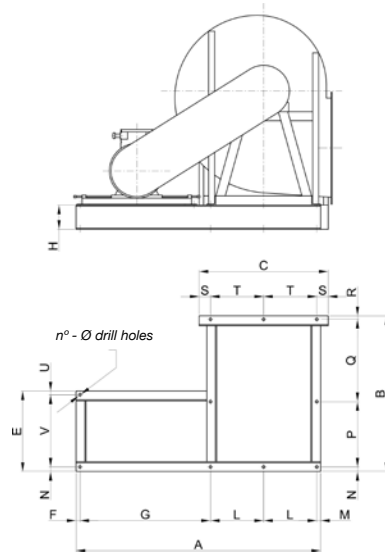
MOD.	H4	H5	H6	H7	L	K	M*	N	P	R*
CASB 710	500	500	850	850	251	243	1078	831	385	515
CASB 800	560	560	950	950	276	267	1177	921	430	565
CASB 900	630	630	1060	1060	303	297	1231	1021	480	565
CASB 1000	710	710	1180	1180	334	323	1353	1120	530	605
CASB 1120	800	800	1320	1320	398	365	1627	1260	590	760
CASB 1250	900	900	1500	1500	437	403	1704	1390	655	760
CASB 1400	1000	1000	1700	1500	500	446	1840	1530	725	780
CASB 1600	1120	1120	1900	1600	568	505	2117	1720	820	920
CASB 1800	1250	1250	2120	1800	623	569	2226	1910	915	920
CASB 2000	1400	1400	2360	2000	684	631	2379	2110	1015	920

MOD.	S	T	U	V	n°	Φ	k	l	t	u
CASB 710	40	920	385	29	5+3	19	48k6	110	51.5	14
CASB 800	40	1000	430	29	5+3	19	55m6	110	59	16
CASB 900	40	1100	480	26	5+3	19	55m6	110	59	16
CASB 1000	50	1230	530	41	5+3	19	65 m6	140	69	18
CASB 1120	50	1370	590	54	5+3	24	75m6	140	79.5	20
CASB 1250	50	1540	655	54	5+3	24	75m6	140	79.5	20
CASB 1400	60	1690	725	54	5+3	24	80m6	170	85	22
CASB 1600	60	1950	820	64	5+3	28	90m6	170	95	25
CASB 1800	60	2150	915	54	5+3	28	100j6	210	106	28
CASB 2000	60	2390	1015	84	5+3	28	100j6	210	106	28

MOD.	d ¹	n°v	Φv	kg	WD ²
CASB 710	629	12	M8	280	11.3
CASB 800	698	12	M8	350	19.1
CASB 900	775	16	M10	400	36
CASB 1000	861	16	M10	520	72
CASB 1120	958	16	M10	850	91
CASB 1250	1067	24	M10	1050	160
CASB 1400	1200	24	M10	1500	264
CASB 1600	1337	24	M10	1950	476
CASB 1800	1491	32	M10	2800	800
CASB 2000	1663	32	M12	3500	1250

(1) For "HIGH TEMP." constructions in models 710 to 900, elevations "A-M-R" + 50 mm.
kg = Weight of fan without motor.
WD² = Moment of inertia of the impeller, expressed in Kg x m²

SYSTEM 12

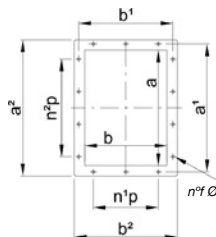


MOD.	A	B*	C	E	H	F	G	L	M	N	P*	Q
CASB 710	1980	1072	920	690	180	30	1150	385	30	30	515	497
CASB 800	2070	1166	1000	690	180	30	1150	430	30	30	565	543
CASB 900	2200	1224	1100	750	180	30	1180	480	30	30	565	600
CASB 1000	2300	1329	1230	755	180	30	1180	530	30	35	605	657
CASB 1120	2470	1592	1370	830	180	35	1220	590	35	35	760	763
CASB 1250	2600	1667	1540	830	180	35	1220	655	35	35	760	840
CASB 1400	3150	1794	1690	990	180	35	1630	725	35	35	780	946
CASB 1600	3340	2063	1950	990	180	35	1630	820	35	35	920	1073
CASB 1800	3600	2185	2150	1100	180	35	1700	915	35	35	920	1192
CASB 2000	3800	2309	2390	1100	180	35	1700	1015	35	35	920	1315

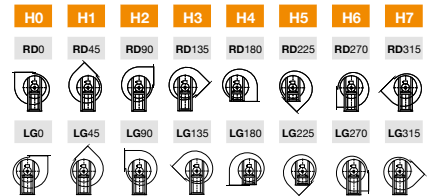
MOD.	R	S	T	U	V	N°	Φ	kg
CASB 710	30	75	385	30	630	10	19	167
CASB 800	28	70	430	30	630	10	19	175
CASB 900	29	70	480	30	690	10	19	190
CASB 1000	32	85	530	30	690	10	19	200
CASB 1120	34	95	590	35	760	10	24	295
CASB 1250	32	115	655	35	760	10	24	310
CASB 1400	33	120	725	35	920	10	24	365
CASB 1600	35	155	820	35	920	10	28	390
CASB 1800	38	160	915	35	1030	10	28	475
CASB 2000	39	180	1015	35	1030	10	28	500

(*) For "HIGH TEMP." constructions in models 710 to 900, elevations "B-P" + 50 mm.
Kg = Weight of the support base

OUTLET NOZZLE



ORIENTATIONS



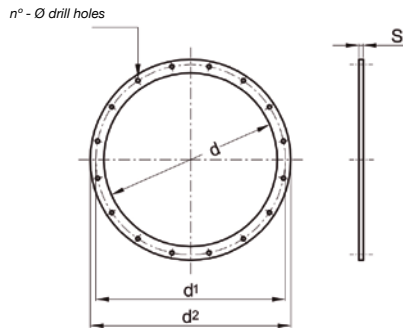
H The measurement of height H (distance between the ground and the axis) varies depending on the orientations

OUTLET NOZZLE

MOD.	a	b	a ¹	b ¹	a ²	b ²	n°p	n°p	n°f	Φf
CASB 710	569	404	629	464	669	504	2-160	3-160	14	14
CASB 800	638	453	698	513	738	553	2-160	3-160	14	14
CASB 900	715	507	775	567	815	607	2-160	4-160	16	14
CASB 1000	801	569	871	639	921	689	2-200	3-200	14	14
CASB 1120	898	638	968	708	1018	758	3-200	4-200	18	14
CASB 1250	1007	715	1077	785	1127	835	3-200	4-200	18	14
CASB 1400	1130	801	1210	881	1270	941	3-200	5-200	20	18
CASB 1600	1267	898	1347	978	1407	1038	4-200	6-200	24	18
CASB 1800	1421	1007	1501	1087	1561	1147	4-200	6-200	24	18
CASB 2000	1593	1130	1683	1220	1753	1290	5-200	7-200	28	22

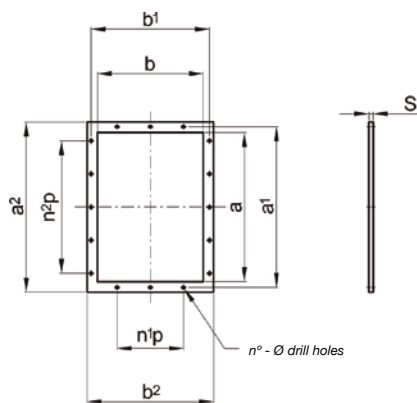
Accessories

Inlet counter flange



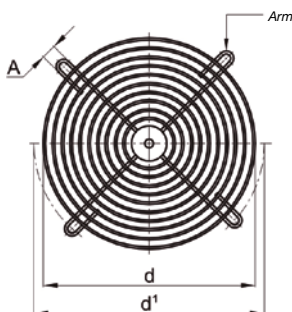
MOD.	d	d'	d''	n°	Φ	s	kg
CASB 250	205	241	275	8	9	4	0.75
CASB 280	229	265	299	8	9	4	0.8
CASB 310	255	292	325	8	11	4	1
CASB 350	286	332	366	8	11	5	1.6
CASB 400	321	366	401	8	11	5	1.8
CASB 450	361	405	441	8	11	5	2
CASB 500	406	448	486	12	11	5	2.2
CASB 560	456	497	536	12	11	5	2.5
CASB 630	506	551	586	12	11	5	2.7
CASB 710	568	629	668	12	11	6	4.6
CASB 800	638	698	738	12	11	6	5
CASB 900	718	775	818	16	13	6	5.5
CASB 1000	808	861	908	16	13	6	6.2
CASB 1120	908	958	1008	16	13	6	7
CASB 1250	1008	1067	1108	24	13	6	7.8
CASB 1400	1130	1200	1250	24	13	8	14
CASB 1600	1260	1337	1380	24	13	8	15.5
CASB 1800	1410	1491	1530	32	13	8	17
CASB 2000	1610	1663	1730	32	15	8	19.5

Impulsion counter-flange



MOD.	a	b	a'	b'	a²	b²	n°p	n°p	n°	Φ	s	kg
CASB 250	205	146	241	182	275	216	1-112	1-112	8	12	4	0.9
CASB 280	229	164	265	200	299	234	1-112	1-112	8	12	4	1
CASB 310	256	183	292	219	326	253	1-112	2-112	10	12	4	1.1
CASB 350	288	205	332	249	368	285	1-125	2-125	10	12	5	1.8
CASB 400	322	229	366	273	402	309	1-125	2-125	10	12	5	2
CASB 450	361	256	405	300	441	336	1-125	2-125	10	12	5	2.2
CASB 500	404	288	448	332	484	368	2-125	3-125	14	12	5	2.4
CASB 560	453	322	497	366	533	402	2-125	3-125	14	12	5	2.7
CASB 630	507	361	551	405	587	441	2-125	3-125	14	12	5	3
CASB 710	569	404	629	464	669	504	2-160	3-160	14	14	6	5
CASB 800	638	453	698	513	738	553	2-160	3-160	14	14	6	5.6
CASB 900	715	507	775	567	815	607	2-160	4-160	16	14	8	6.2
CASB 1000	801	569	871	639	921	689	2-200	3-200	14	14	8	11.2
CASB 1120	898	638	968	708	1018	758	3-200	4-200	18	14	8	12.5
CASB 1250	1007	715	1077	785	1127	835	3-200	4-200	18	14	8	14
CASB 1400	1130	801	1210	881	1270	941	3-200	5-200	20	18	8	18
CASB 1600	1267	898	1347	978	1407	1038	4-200	6-200	24	18	8	20
CASB 1800	1421	1007	1501	1087	1561	1147	4-200	6-200	24	18	8	22.3
CASB 2000	1593	1130	1683	1220	1753	1290	5-200	7-200	28	22	8	28.5

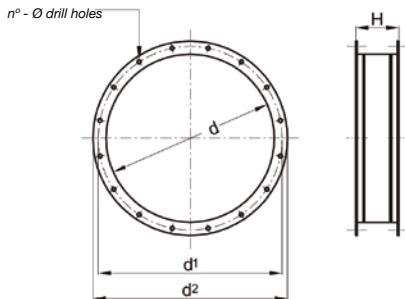
Inlet protection mesh



MOD.	d	d'	A	n°	kg
CASB 250	205	241	9	4	0.2
CASB 280	229	265	9	4	0.25
CASB 310	255	292	11	4	0.3
CASB 350	286	332	11	4	0.35
CASB 400	321	366	11	4	0.4
CASB 450	361	405	11	8	0.7
CASB 500	406	448	11	8	0.8
CASB 560	456	497	11	8	0.9
CASB 630	506	551	11	8	1
CASB 710	568	629	11	8	1.2
CASB 800	638	698	11	8	1.5
CASB 900	718	775	13	8	2
CASB 1000	808	861	13	8	2.5
CASB 1120	908	958	13	8	3
CASB 1250	1008	1067	13	8	3.5
CASB 1400	1130	1200	13	8	4
CASB 1600	1260	1337	13	8	4.5
CASB 1800	1410	1491	13	8	5
CASB 2000	1610	1663	15	8	5.5

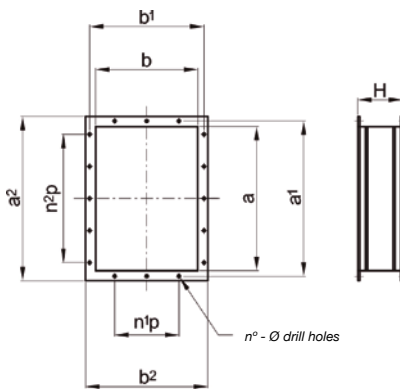
Accessories

Inlet anti-vibration seal



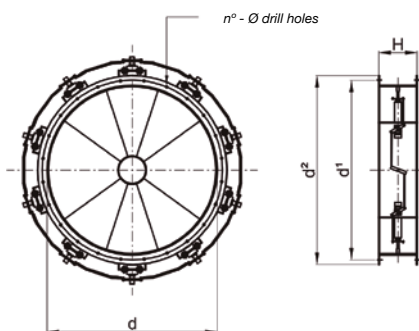
MOD.	d	d'	d''	n°	Φ	H	kg
CASB 250	205	241	275	8	9	200	1.8
CASB 280	229	265	299	8	9	200	2
CASB 310	255	292	325	8	11	200	2.2
CASB 350	286	332	366	8	11	200	3.4
CASB 400	321	366	401	8	11	200	3.8
CASB 450	361	405	441	8	11	200	4.2
CASB 500	406	448	486	12	11	200	4.6
CASB 560	456	497	536	12	11	200	5.1
CASB 630	506	551	586	12	11	200	5.6
CASB 710	568	629	668	12	11	200	9.4
CASB 800	638	698	738	12	11	200	10.4
CASB 900	718	775	818	16	13	200	11.6
CASB 1000	808	861	908	16	13	200	13
CASB 1120	908	958	1008	16	13	200	14.4
CASB 1250	1008	1067	1108	24	13	200	16
CASB 1400	1130	1200	1250	24	13	200	28.5
CASB 1600	1260	1337	1380	24	13	200	31.5
CASB 1800	1410	1491	1530	32	13	200	34.5
CASB 2000	1610	1663	1730	32	15	200	39.5

Impulsion anti-vibration seal



MOD.	a	b	a'	b'	a''	b''	n°p	n°p	n°	Φ	H	kg
CASB 250	205	146	241	182	275	216	1-112	1-112	8	12	200	2
CASB 280	229	164	265	200	299	234	1-112	1-112	8	12	200	2.2
CASB 310	256	183	292	219	326	253	1-112	2-112	10	12	200	2.4
CASB 350	288	205	332	249	368	285	1-125	2-125	10	12	200	3.8
CASB 400	322	229	366	273	402	309	1-125	2-125	10	12	200	4.2
CASB 450	361	256	405	300	441	336	1-125	2-125	10	12	200	4.6
CASB 500	404	288	448	332	484	368	2-125	3-125	14	12	200	5
CASB 560	453	322	497	366	533	402	2-125	3-125	14	12	200	5.6
CASB 630	507	361	551	401	587	441	2-125	3-125	14	12	200	6.2
CASB 710	569	404	629	464	669	504	2-160	3-160	14	14	200	10.2
CASB 800	638	453	698	513	738	553	2-160	3-160	14	14	200	11.4
CASB 900	715	507	775	567	815	607	2-160	4-160	16	14	200	12.6
CASB 1000	801	569	871	639	921	689	2-200	3-200	14	14	200	23
CASB 1120	898	638	968	708	1018	758	3-200	4-200	18	14	200	25.5
CASB 1250	1007	715	1077	785	1127	835	3-200	4-200	18	14	200	28.5
CASB 1400	1130	801	1210	881	1270	941	3-200	5-200	20	18	200	37
CASB 1600	1267	898	1347	978	1407	1038	4-200	6-200	24	18	200	41
CASB 1800	1421	1007	1501	1087	1561	1147	4-200	6-200	24	18	200	45.5
CASB 2000	1593	1130	1683	1220	1753	1290	5-200	7-200	28	22	200	58

Flow regulator at the inlet

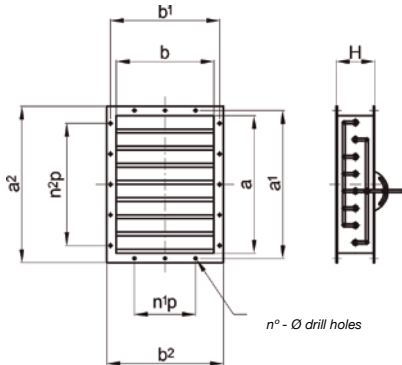


MOD.	d	d'	d''	n°	Φ	H	kg
CASB 400	321	366	401	8	11	200	24
CASB 450	361	405	441	8	11	250	26
CASB 500	406	448	486	12	11	250	30
CASB 560	456	497	536	12	11	250	32
CASB 630	506	551	586	12	11	250	45
CASB 710	568	629	668	12	11	250	50
CASB 800	638	698	738	12	11	300	58
CASB 900	718	775	818	16	13	300	68
CASB 1000	808	861	908	16	13	350	87
CASB 1120	908	958	1008	16	13	350	102
CASB 1250	1008	1067	1108	24	13	350	120
CASB 1400	1130	1200	1250	24	13	400	150
CASB 1600	1260	1337	1380	24	13	400	170
CASB 1800	1410	1491	1530	32	13	400	190
CASB 2000	1610	1663	1730	32	15	450	220

LARGE SERIES

Accessories

Opposing blades damper

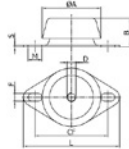


MOD.	a	b	a ¹	b ¹	a ²	b ²	n°p	n°p	n°	Φ	H (1)	H (2)	kg (1)	kg (2)
CASB 400	322	229	366	273	402	309	1-125	2-125	10	12	220	250	11	12
CASB 450	361	256	405	300	441	336	1-125	2-125	10	12	220	250	14	15
CASB 500	404	288	448	332	484	368	2-125	3-125	14	12	220	250	18	19
CASB 560	453	322	497	366	533	402	2-125	3-125	14	12	220	250	21	22
CASB 630	507	361	551	405	587	441	2-125	3-125	14	12	220	250	24	25
CASB 710	569	404	629	464	669	504	2-160	3-160	14	14	220	250	28	29
CASB 800	638	453	698	513	738	553	2-160	3-160	14	14	220	250	32	33
CASB 900	715	507	775	567	815	607	2-160	4-160	16	14	220	250	36	38
CASB 1000	801	569	871	639	921	689	2-200	3-200	14	14	220	250	44	46
CASB 1120	898	638	968	708	1018	758	3-200	4-200	18	14	220	250	50	52
CASB 1250	1007	715	1077	785	1127	835	3-200	4-200	18	14	220	250	55	58
CASB 1400	1130	801	1210	881	1270	941	3-200	5-200	20	18	220	250	81	84
CASB 1600	1267	898	1347	978	1407	1038	4-200	6-200	24	18	220	250	92	96
CASB 1800	1421	1007	1501	1087	1561	1147	4-200	6-200	24	18	220	250	105	110
CASB 2000	1593	1130	1683	1220	1753	1290	5-200	7-200	28	22	220	250	140	145

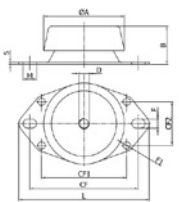
(1) Up to 300 mm H₂O
(2) Above 300 mm H₂O

Shock absorbers

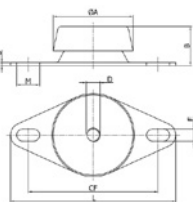
TYPE 1



TYPE 2

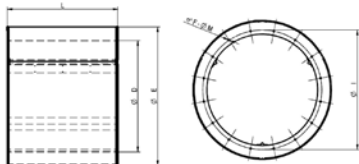


TYPE 3



MOD.	SHOCK-ABSORBERS MODEL	TYPE	øA	B	D	CF	CF1	CF2	F	øF1	L	M	S
CASB-250	CF 623110	1	67	33...34	10	76.5	-	-	9	-	90.5	16	2
CASB-280	CF 623110	1	67	33...34	10	76.5	-	-	9	-	90.5	16	2
CASB-310	CF 623110	1	67	33...34	10	76.5	-	-	9	-	90.5	16	2
CASB-350	CF 623110	1	67	33...34	10	76.5	-	-	9	-	90.5	16	2
CASB-400	CF 623110	1	67	33...34	10	76.5	-	-	9	-	90.5	16	2
CASB-450	CF 623110	1	67	33...34	10	76.5	-	-	9	-	90.5	16	2
CASB-500	CF 623110	1	67	33...34	10	76.5	-	-	9	-	90.5	16	2
CASB-560	CF 623110	1	67	33...34	10	76.5	-	-	9	-	90.5	16	2
CASB-630	CF 623110	1	67	33...34	10	76.5	-	-	9	-	90.5	16	2
CASB-710	CF 623110	1	67	33...34	10	76.5	-	-	9	-	90.5	16	2
CASB-800	CF 924512	2	92	44...45	12	120	98	50	10.5	8.5	130	15.5	2.5
CASB-900	CF 924512	2	92	44...45	12	120	98	50	10.5	8.5	130	15.5	2.5
CASB-1000	CF 924512	2	92	44...45	12	120	98	50	10.5	8.5	130	15.5	2.5
CASB-1120	CF 924512	2	92	44...45	12	120	98	50	10.5	8.5	130	15.5	2.5
CASB-1250	CF 924512	2	92	44...45	12	120	98	50	10.5	8.5	130	15.5	2.5
CASB-1400	CF 924512	2	92	44...45	12	120	98	50	10.5	8.5	130	15.5	2.5
CASB-1600	CF 1204516	3	92	45	26.5	149.5			14		190	16	3.5
CASB-1800	CF 1204516	3	92	45	26.5	149.5			14		190	16	3.5
CASB-2000	CF 1204516	3	92	45	26.5	149.5			14		190	16	3.5

Circular silencers



Silencers are used to lower the noise level at air conditioning or ventilation installation manufactured using galvanised steel.

- Upon request: other constructions using different materials.

øD	øE	L	øI	F	øM	øD	øE	L	øI	F	øM
315	515	ØD,1,5ØD, 2ØD	355	8	M8	900	1100	ØD,1,5ØD, 2ØD	970	16	M10
355	555	ØD,1,5ØD, 2ØD	395	8	M8	1000	1200	ØD,1,5ØD, 2ØD	1070	16	M10
400	600	ØD,1,5ØD, 2ØD	450	8	M8	1120	1320	ØD,1,5ØD, 2ØD	1190	20	M10
450	650	ØD,1,5ØD, 2ØD	500	8	M8	1250	1450	ØD,1,5ØD, 2ØD	1320	20	M10
500	700	ØD,1,5ØD, 2ØD	560	12	M8	1400	1600	ØD,1,5ØD, 2ØD	1470	20	M10
560	760	ØD,1,5ØD, 2ØD	620	12	M8	1500	1700	ØD,1,5ØD, 2ØD	1570	20	M10
630	830	ØD,1,5ØD, 2ØD	690	12	M8	1600	1800	ØD,1,5ØD, 2ØD	1680	24	M14
710	910	ØD,1,5ØD, 2ØD	770	16	M8	1700	1900	ØD,1,5ØD, 2ØD	1780	24	M14
800	1000	ØD,1,5ØD, 2ØD	860	16	M8	1800	2000	ØD,1,5ØD, 2ØD	1880	24	M14