

CJBX/F

Ventilation units with built-in filter



Fan:

- Ventilation units equipped with double inlet fans of the CBX, CBXC and CBXR series.
- Galvanised sheet steel structure with thermal insulation and acoustic insulation.
- Forward curved impeller in galvanised sheet steel.
- Glands for cable entry.

Motor:

- Motors with IE3 efficiency for powers equal to or greater than 0.75 kW, except single-phase, 2-speed and 8-pole.

- Class F motors with ball bearings and IP55 protection.
- Three-phase 230/400 V 50 Hz (up to 4 kW) and 400/690 V 50 Hz (powers greater than 4 kW).
- Working temperature: -25 °C +60 °C.

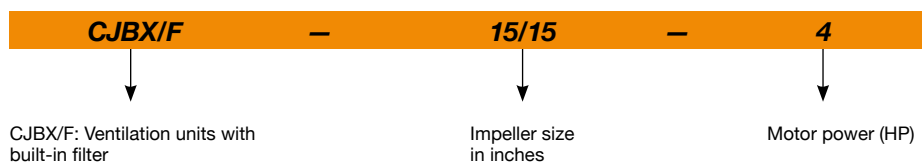
Finish:

- Galvanised steel sheet.

On request:

- With circular outlet.

Order code



Technical characteristics

Model	Speed (r/min)	Maximum admissible current (A)			Installed power (kW)	Maximum flow rate (m ³ /h)	Sound pressure level ¹ dB (A) Irradiated	Approx. weight (Kg)	Mounting type
		230V	400V	690V					
CJBX/F-7/7-0.75	1600	2.17	1.25		0.55	1450	57	41	A
CJBX/F-7/7-1 IE3	1790	2.82	1.62		0.75	1500	59	43	A
CJBX/F-9/9-0.25	825	1.23	0.71		0.18	1700	46	48	A
CJBX/F-9/9-0.33	920	1.66	0.96		0.25	1800	48	50	A
CJBX/F-9/9-0.5	1020	2.02	1.17		0.37	2200	51	52	A
CJBX/F-9/9-0.75	1050	2.17	1.25		0.55	2900	55	55	A
CJBX/F-9/9-1 IE3	1070	2.82	1.62		0.75	3055	56	56	A
CJBX/F-9/9-1.5 IE3	1260	4.07	2.34		1.10	3600	60	59	A
CJBX/F-10/10-0.75	845	2.17	1.25		0.55	3800	56	57	A
CJBX/F-10/10-1 IE3	960	2.82	1.62		0.75	4175	59	59	A
CJBX/F-10/10-1.5 IE3	1070	4.07	2.34		1.10	4800	61	61	A
CJBX/F-10/10-2 IE3	1140	5.41	3.11		1.50	5400	64	65	A
CJBX/F-12/12-0.5	595	2.02	1.17		0.37	4200	53	69	A
CJBX/F-12/12-0.75	675	2.17	1.25		0.55	4800	56	71	A
CJBX/F-12/12-1 IE3	765	2.82	1.62		0.75	5400	59	72	A
CJBX/F-12/12-1.5 IE3	855	4.07	2.34		1.10	5800	60	75	A

Technical characteristics

Model	Speed (r/min)	Maximum admissible current (A)			Installed power (kW)	Maximum flow rate (m ³ /h)	Sound pressure level ¹ dB (A) Irradiated	Approx. weight (Kg)	Mounting type
		230V	400V	690V					
CJBX/F-12/12-2 IE3	965	5.41	3.11		1.50	6500	63	79	A
CJBX/F-12/12-3 IE3	1180	7.93	4.56		2.20	7400	66	87	A
CJBX/F-15/15-0.75	525	2.17	1.25		0.55	5900	51	85	B
CJBX/F-15/15-1 IE3	595	2.82	1.62		0.75	6500	53	86	B
CJBX/F-15/15-1.5 IE3	635	4.07	2.34		1.10	7500	55	89	B
CJBX/F-15/15-2 IE3	670	5.41	3.11		1.50	8200	57	93	B
CJBX/F-15/15-3 IE3	740	7.93	4.56		2.20	9455	60	101	B
CJBX/F-15/15-4 IE3	805	10.70	6.15		3.00	10285	62	103	B
CJBX/F-18/18-1.5 IE3	480	4.07	2.34		1.10	9000	44	122	B
CJBX/F-18/18-2 IE3	605	5.41	3.11		1.50	9250	47	125	B
CJBX/F-18/18-3 IE3	590	7.93	4.56		2.20	11500	49	134	B
CJBX/F-18/18-4 IE3	640	10.70	6.15		3.00	13200	52	136	B
CJBX/F-18/18-5.5 IE3	675	13.90	8.00		4.00	15000	55	141	B
CJBX/F-18/18-7.5 IE3	760		10.30	5.97	5.50	17000	57	155	B
CJBX/F-20/20-2 IE3	430	5.41	3.11		1.50	11500	55	222	B
CJBX/F-20/20-3 IE3	530	7.93	4.56		2.20	12800	58	231	B
CJBX/F-20/20-4 IE3	575	10.70	6.15		3.00	14200	60	233	B
CJBX/F-20/20-5.5 IE3	635	13.90	8.00		4.00	15500	62	238	B
CJBX/F-20/20-7.5 IE3	675		10.30	5.97	5.50	17500	64	252	B
CJBX/F-20/20-10 IE3	725		13.90	8.06	7.50	20000	66	267	B
CJBX/F-22/22-2 IE3	385	5.41	3.11		1.50	14000	51	250	B
CJBX/F-22/22-3 IE3	475	7.93	4.56		2.20	15000	54	257	B
CJBX/F-22/22-4 IE3	515	10.70	6.15		3.00	17000	57	261	B
CJBX/F-22/22-5.5 IE3	570	13.90	8.00		4.00	19000	59	265	B
CJBX/F-22/22-7.5 IE3	605		10.30	5.97	5.50	21500	61	279	B
CJBX/F-22/22-10 IE3	725		13.90	8.06	7.50	22000	63	290	B
CJBX/F-22/22-15 IE3	765		20.90	12.10	11.00	27000	66	316	B
CJBX/F-25/25-3 IE3	375	7.93	4.56		2.20	17000	54	297	B
CJBX/F-25/25-4 IE3	405	10.70	6.15		3.00	20500	57	299	B
CJBX/F-25/25-5.5 IE3	450	13.90	8.00		4.00	22000	58	304	B
CJBX/F-25/25-7.5 IE3	485		10.30	5.97	5.50	24500	60	318	B
CJBX/F-25/25-10 IE3	545		13.90	8.06	7.50	28000	63	329	B
CJBX/F-25/25-15 IE3	610		20.90	12.10	11.00	32000	66	349	B
CJBX/F-30/28-3 IE3	280	7.93	4.56		2.20	20000	53	380	B
CJBX/F-30/28-4 IE3	310	10.70	6.15		3.00	22000	55	382	B
CJBX/F-30/28-5.5 IE3	340	13.90	8.00		4.00	25000	57	387	B
CJBX/F-30/28-7.5 IE3	380		10.30	5.97	5.50	31500	61	402	B
CJBX/F-30/28-10 IE3	410		13.90	8.06	7.50	36000	63	415	B
CJBX/F-30/28-15 IE3	430		20.90	12.10	11.00	42000	66	426	B
CJBX/F-30/28-20 IE3	480		27.90	16.20	15.00	48000	68	449	B

1. The noise level values are pressures in dB(A) measured at a distance of 3 metres in a free field.

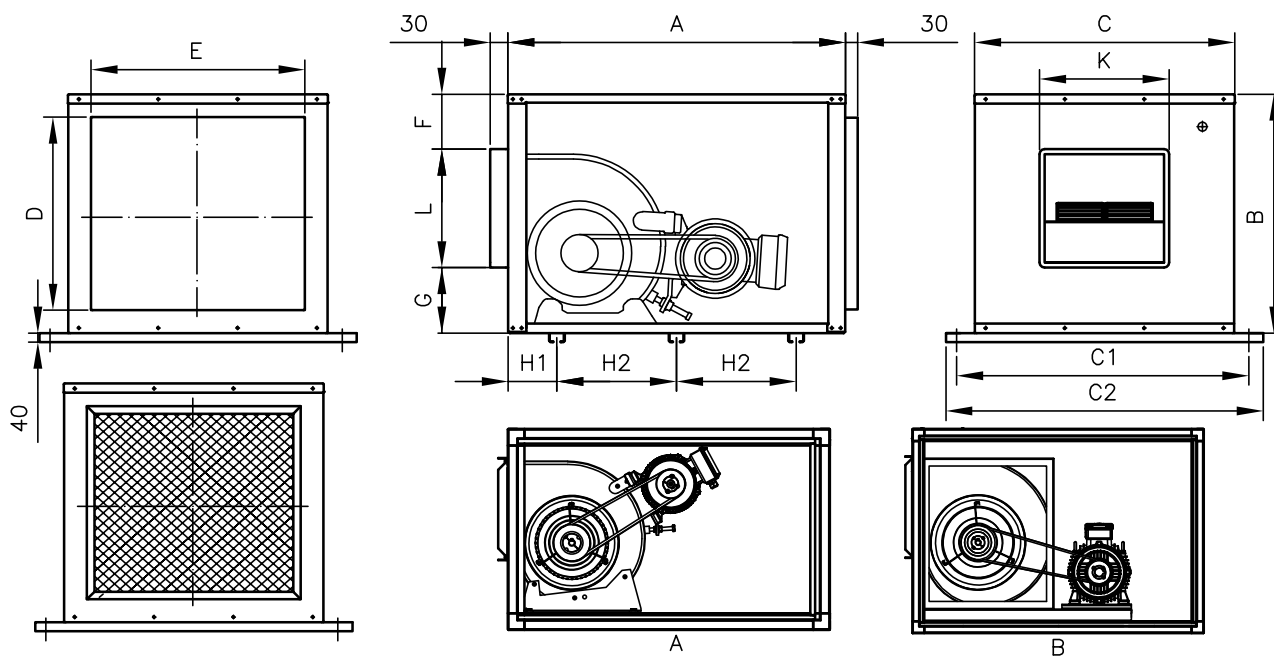


Erp. (Energy Related Products)

Information on Directive 2009/125/EC can be downloaded from the SODECA website or the QuickFan selector programme.

Dimensions mm

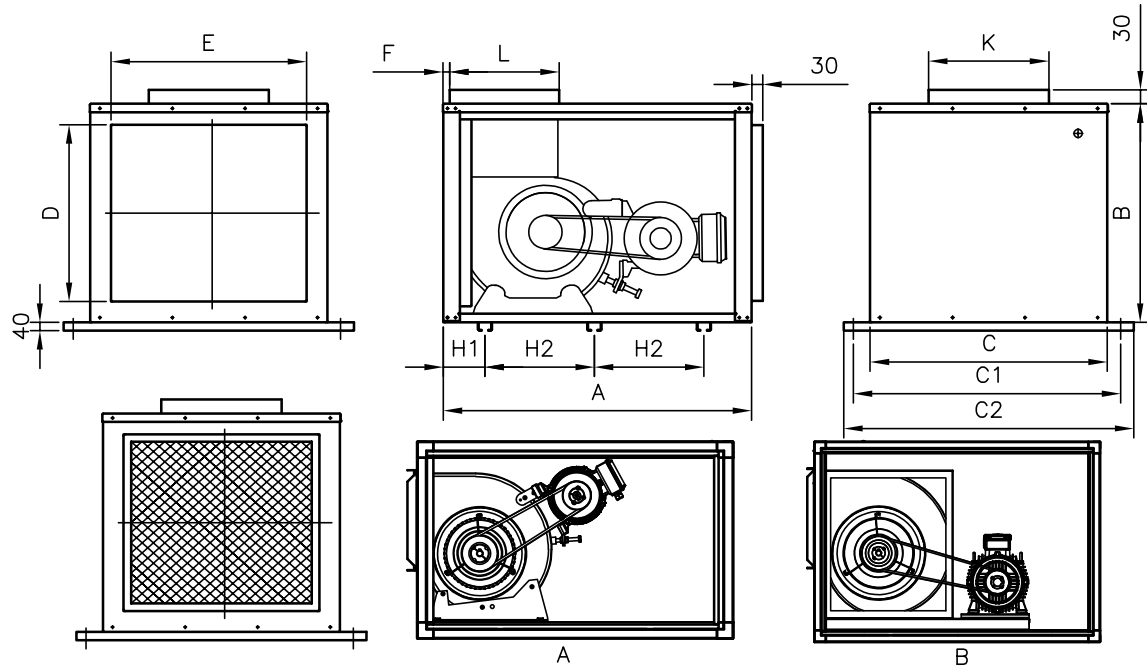
Standard supply horizontal impulsion
(H) LG 90



	A	B	C	C1	C2	D	E	F	G	H1	H2	K	L	Mounting type
CJBX/F-7/7	650	460	500	-	-	370	410	107	128	-	-	250	228	A
CJBX/F-9/9	700	523	550	-	-	426	454	101	145	-	-	316	279	A
CJBX/F-10/10	750	575	600	-	-	483	508	100	170	-	-	342	308	A
CJBX/F-12/12	850	650	700	-	-	554	604	94	198	-	-	404	361	A
CJBX/F-15/15	1000	755	800	908	938	659	704	43	288	133	341	489	423	B
CJBX/F-18/18	1200	875	1000	1050	1080	779	903	35	338	117	460	556	502	B
CJBX/F-20/20	1400	1175	1100	1250	1280	1080	1005	157	398	94	588	622	622	B
CJBX/F-22/22	1460	1250	1250	1320	1350	1155	1155	136	401	80	648	672	712	B
CJBX/F-25/25	1632	1375	1450	1520	1550	1278	1354	148	413	78	738	782	815	B
CJBX/F-30/28	1800	1600	1650	1740	1770	1505	1555	139	527	83	808	906	956	B

Dimensions mm

Vertical impulsion on request
(V) LG 0



	A	B	C	C1	C2	D	E	F	H1	H2	K	L	Mounting type
CJBX/F-7/7	650	460	500	-	-	370	410	14	-	-	253	230	A
CJBX/F-9/9	700	522	550	-	-	426	454	15	-	-	320	283	A
CJBX/F-10/10	750	575	600	-	-	483	508	21	-	-	346	312	A
CJBX/F-12/12	850	650	700	-	-	554	604	8	-	-	407	362	A
CJBX/F-15/15	1000	755	800	908	938	659	704	19	133	341	494	429	B
CJBX/F-18/18	1200	875	1000	1050	1080	779	903	30	117	460	561	507	B
CJBX/F-20/20	1400	1175	1100	1250	1280	1080	1005	55	94	588	626	626	B
CJBX/F-22/22	1460	1250	1250	1320	1350	1155	1155	61	80	648	677	718	B
CJBX/F-25/25	1630	1375	1450	1520	1550	1278	1354	66	78	738	786	818	B
CJBX/F-30/28	1800	1600	1650	1740	1770	1505	1555	45	83	808	910	959	B

Accessories



INT



VSD3/A-RFT
- VSD1/A-RFM



AET



VIS

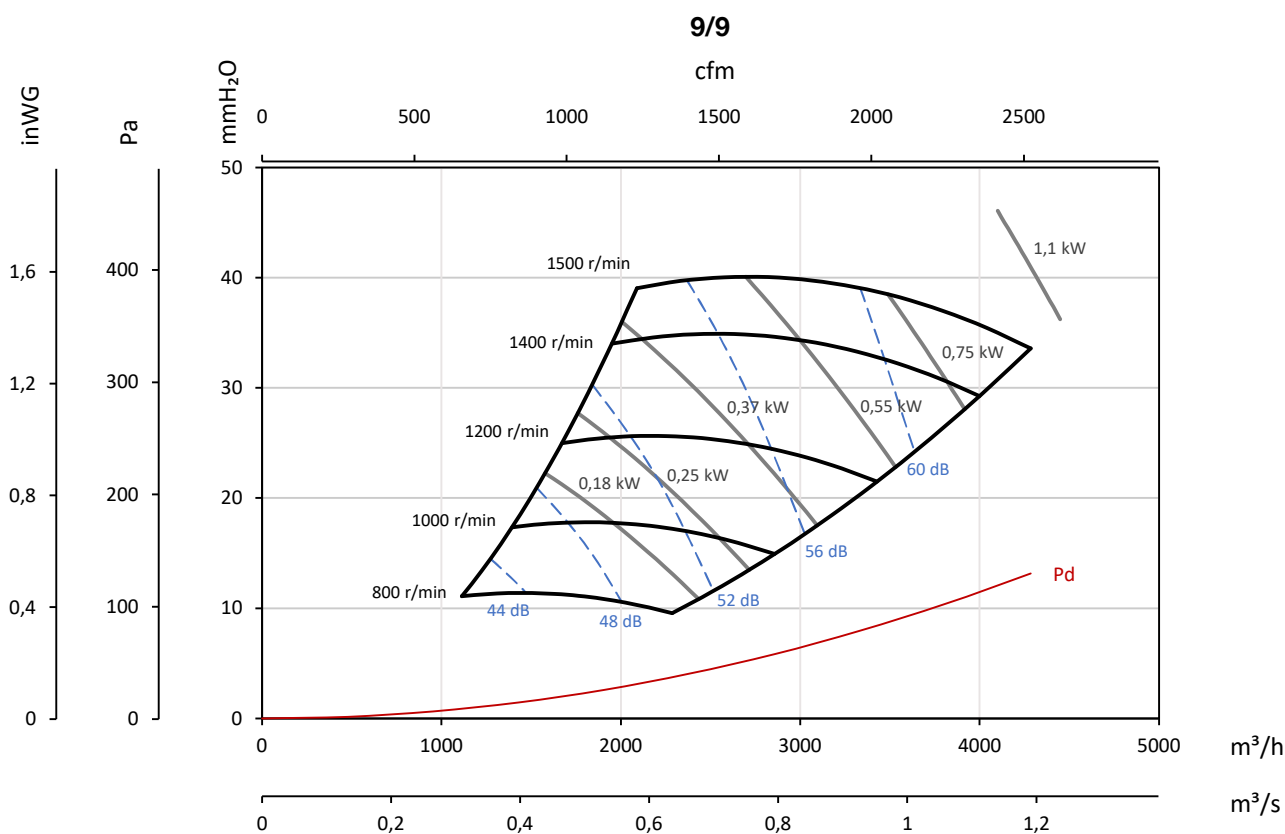
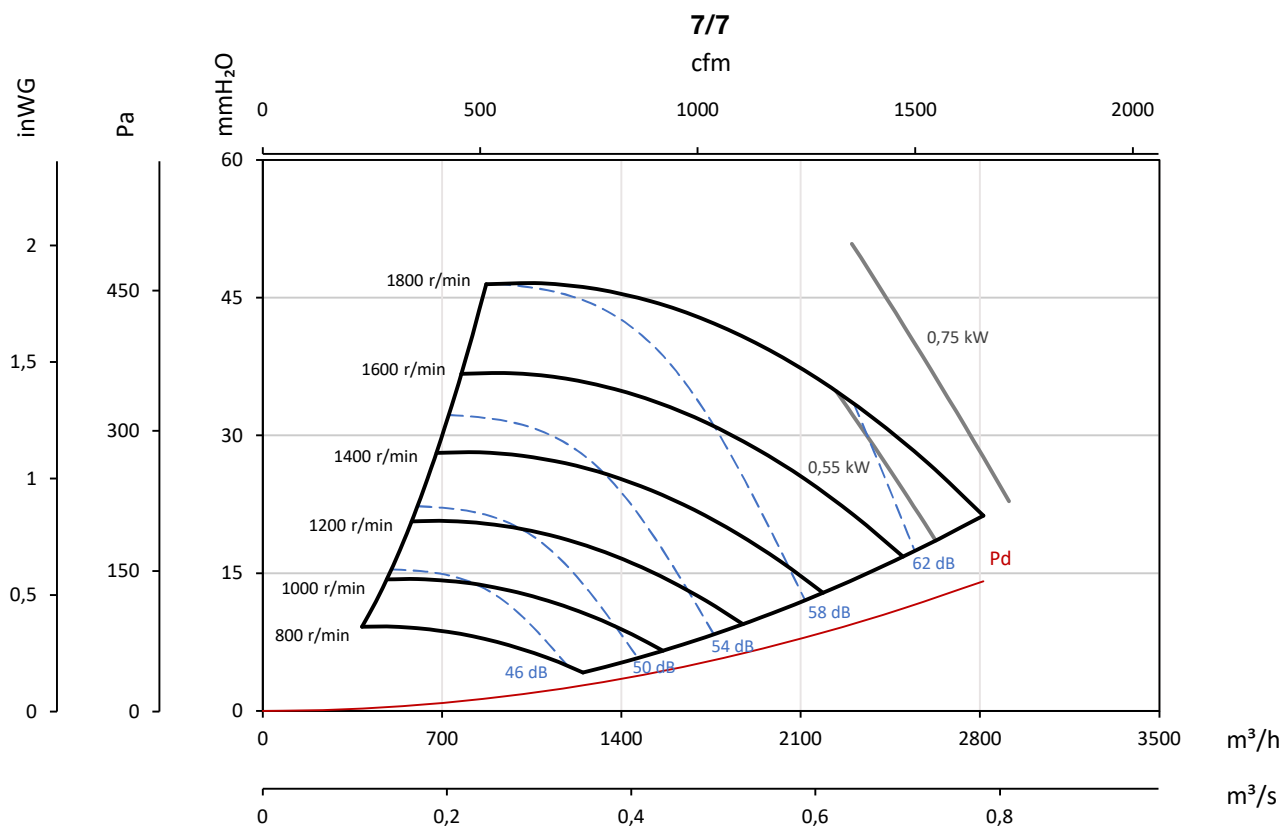


TEJ

Characteristic curves

Q= Flow rate in m³/h, m³/s and cfm

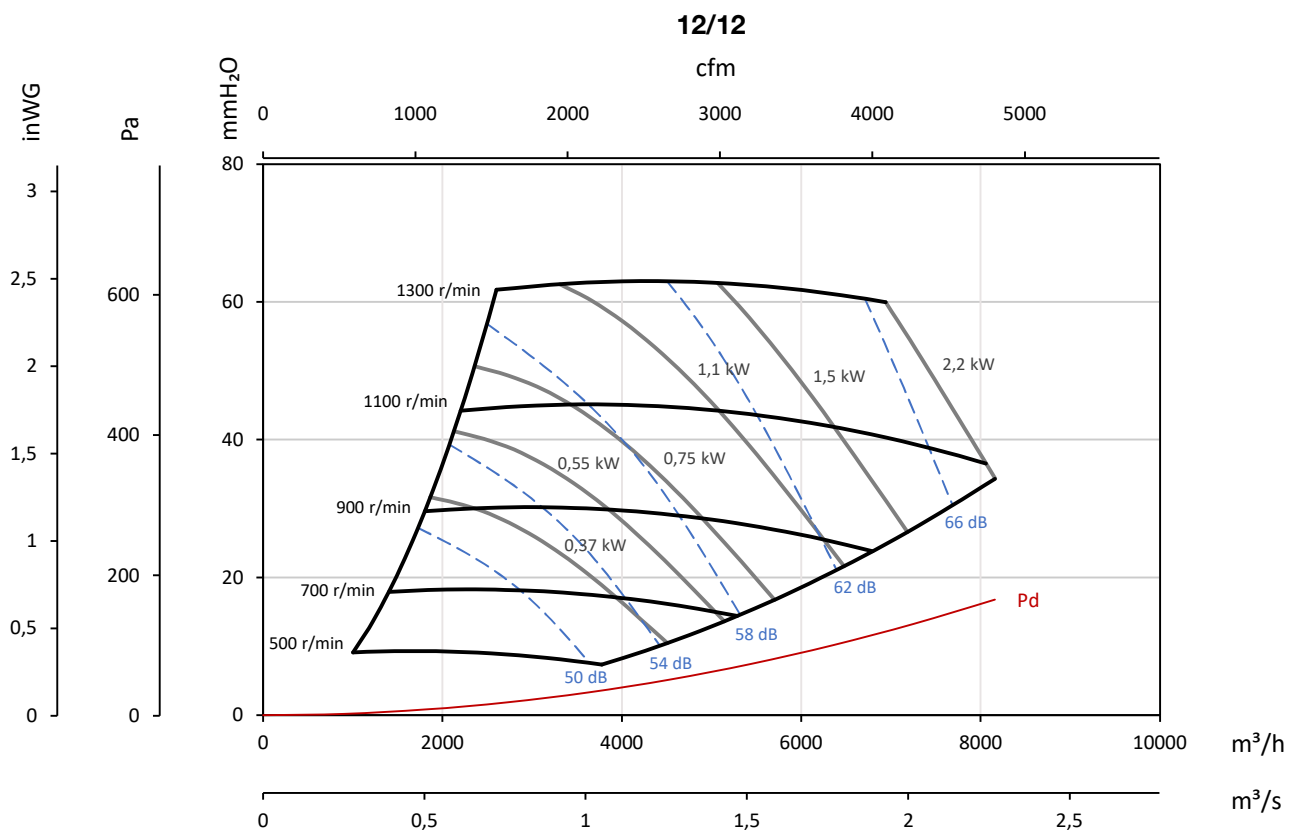
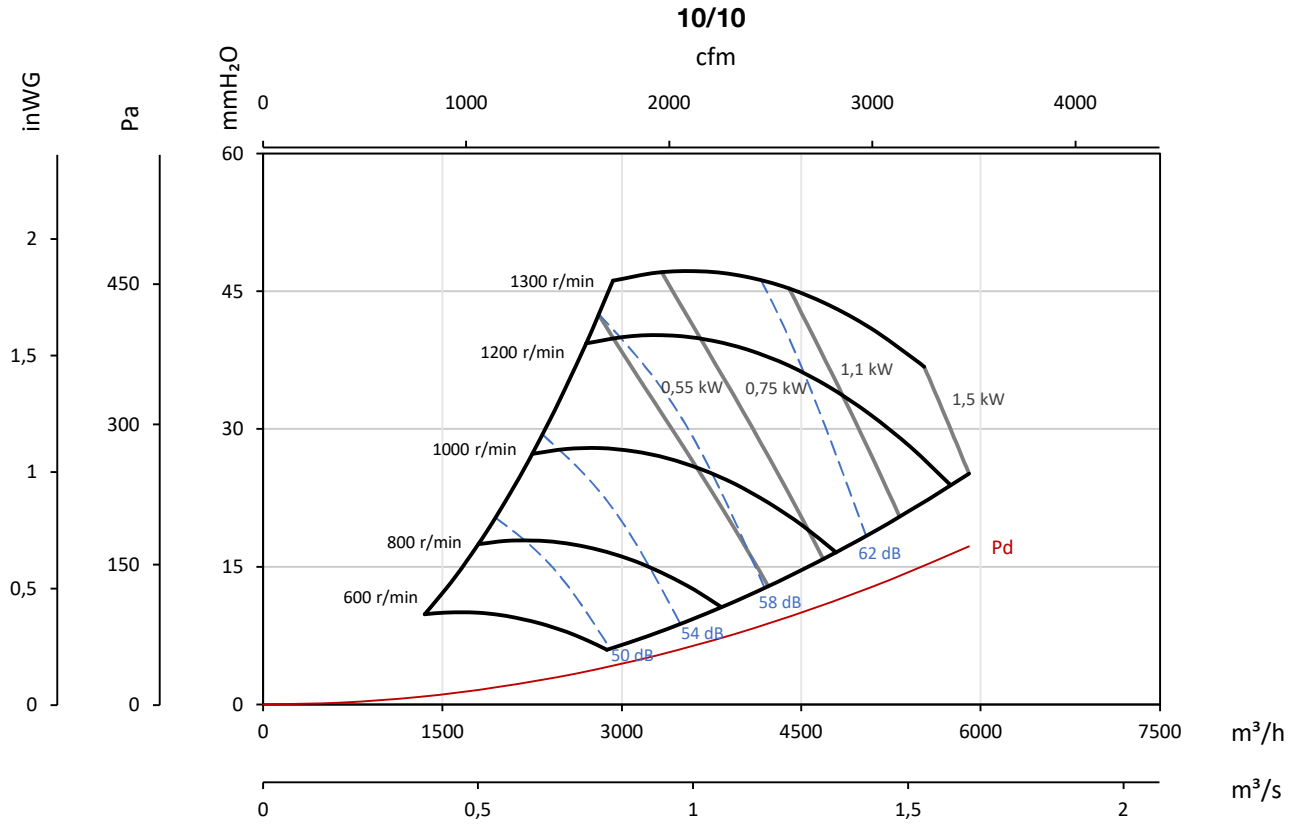
Pe= Static pressure in mm H₂O, Pa and inWG



Characteristic curves

Q= Flow rate in m³/h, m³/s and cfm

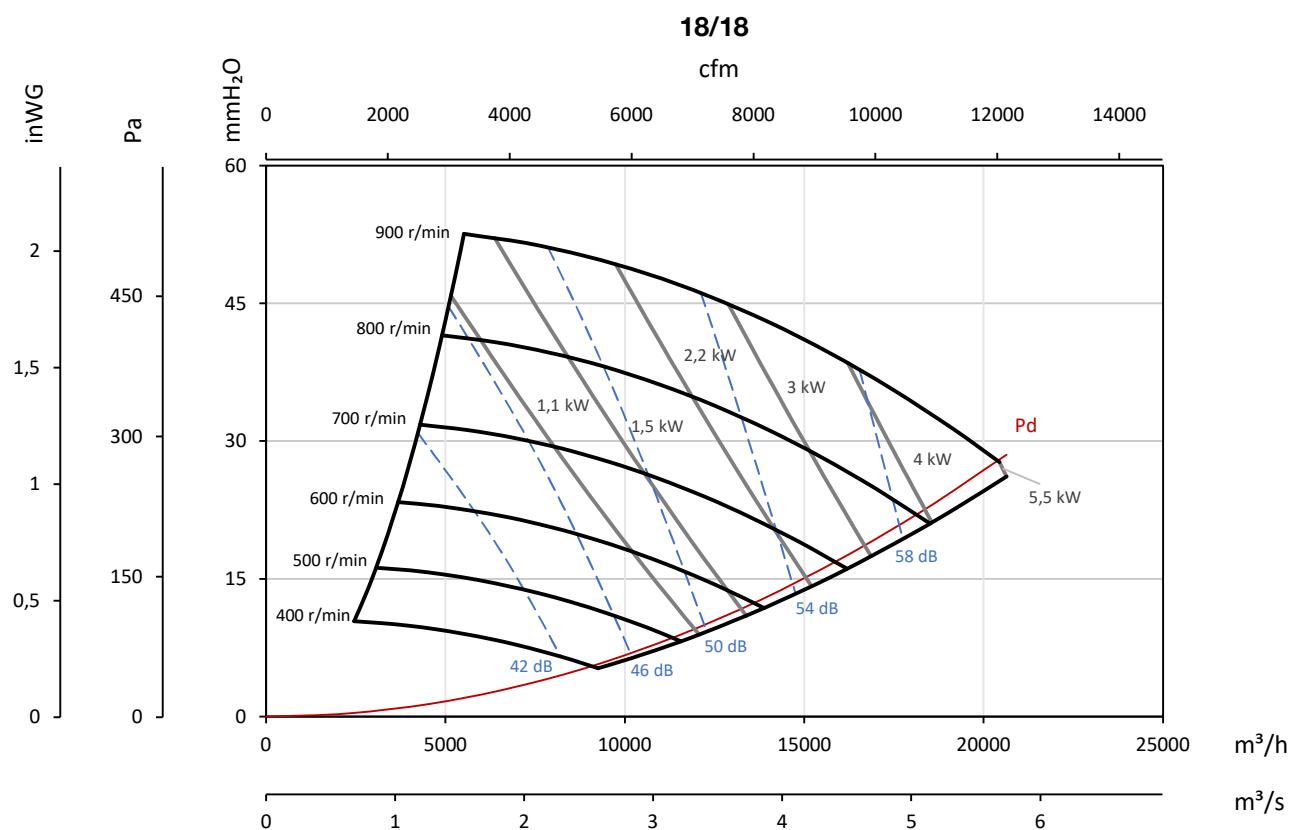
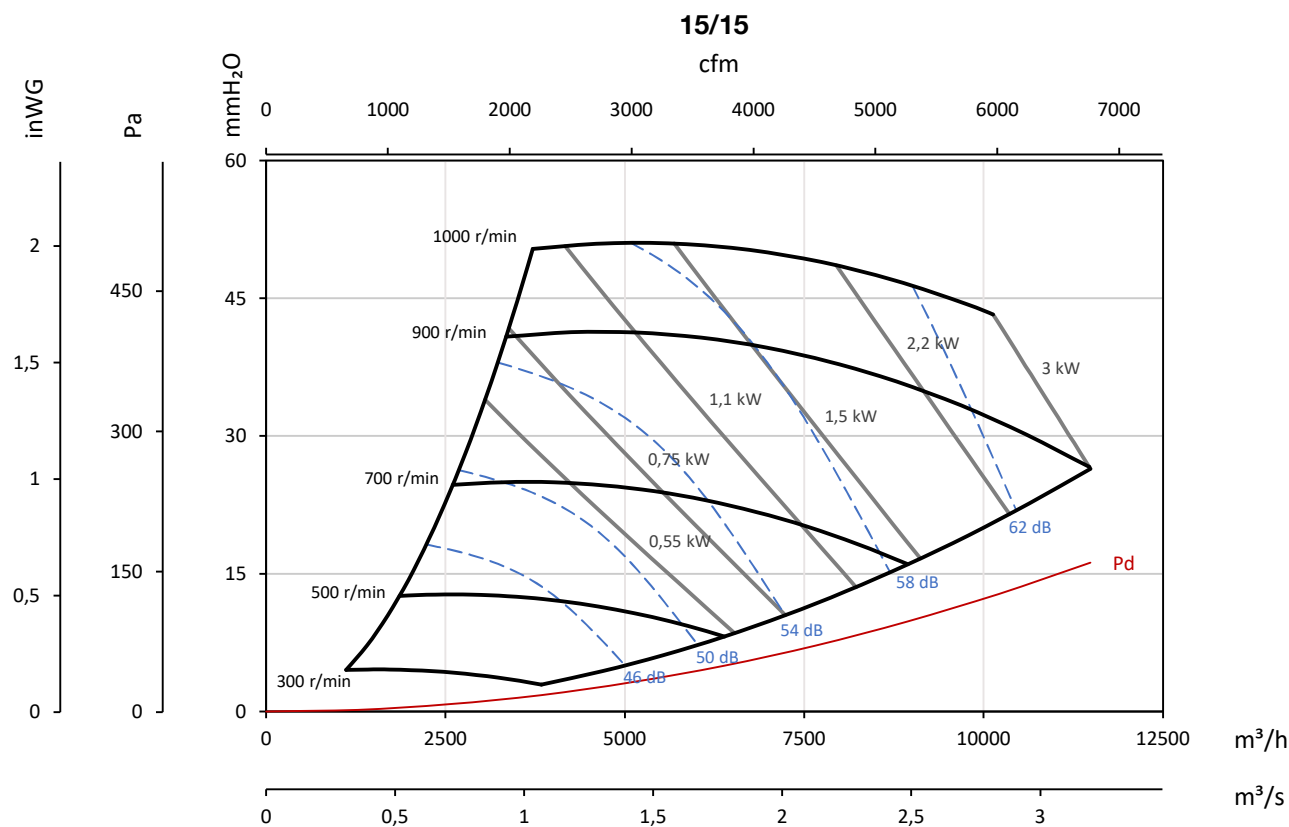
Pe= Static pressure in mm H₂O, Pa and inWG



Characteristic curves

Q= Flow rate in m³/h, m³/s and cfm

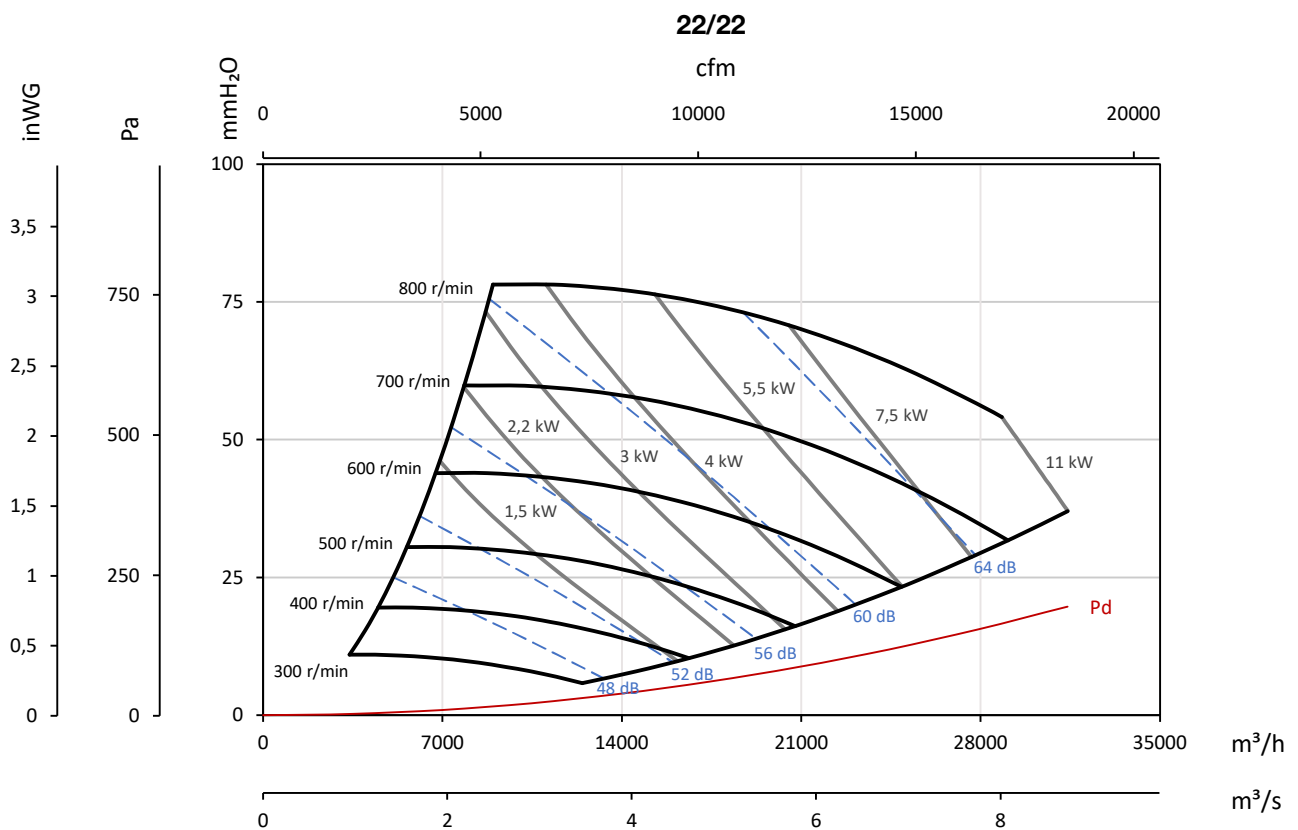
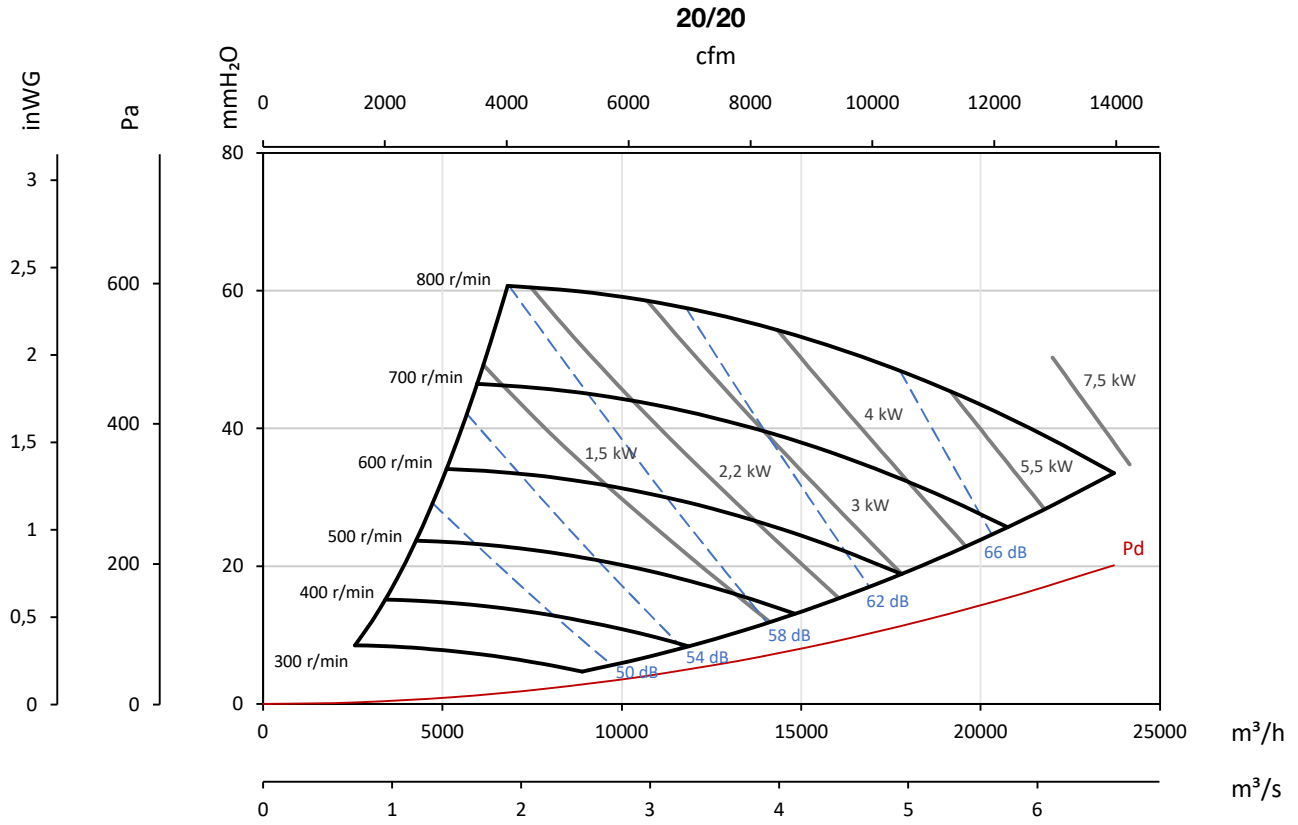
Pe= Static pressure in mm H₂O, Pa and inWG



Characteristic curves

Q= Flow rate in m³/h, m³/s and cfm

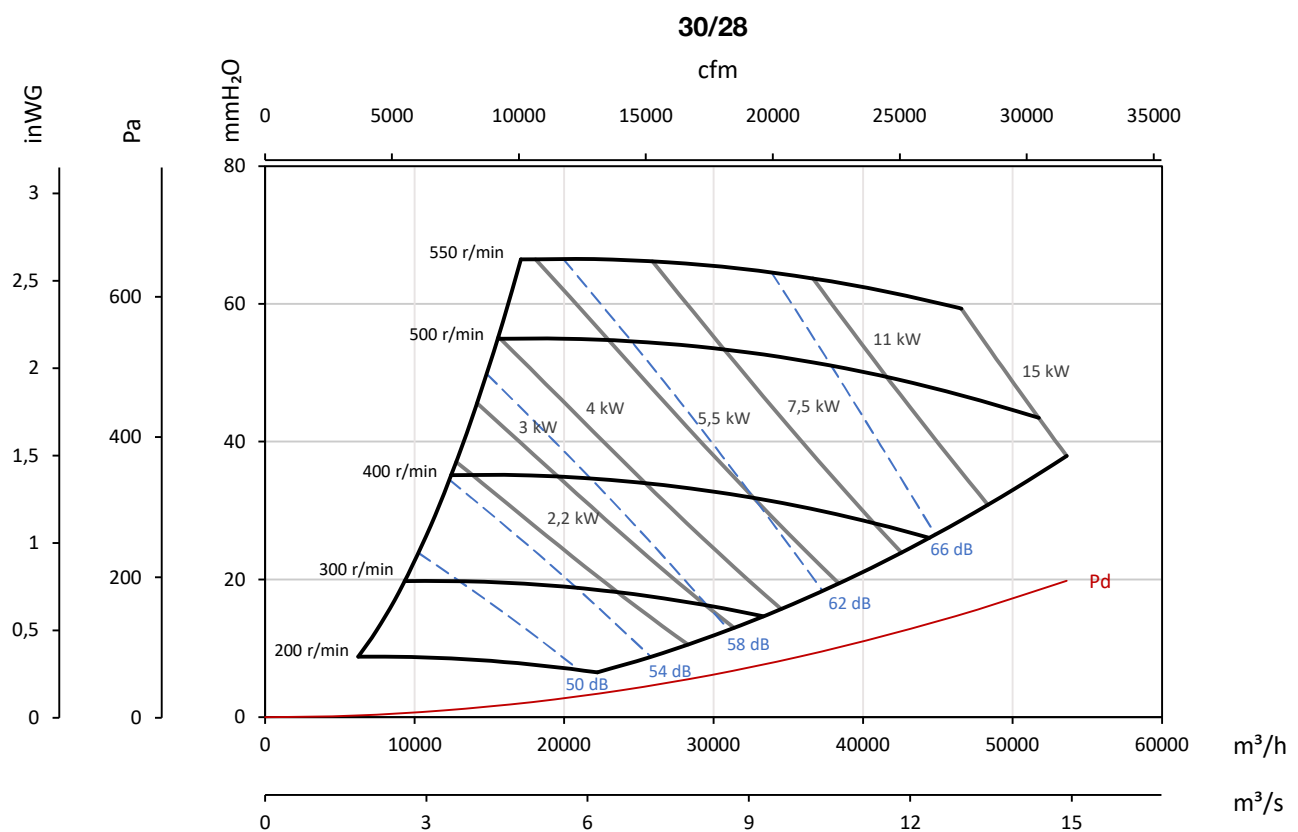
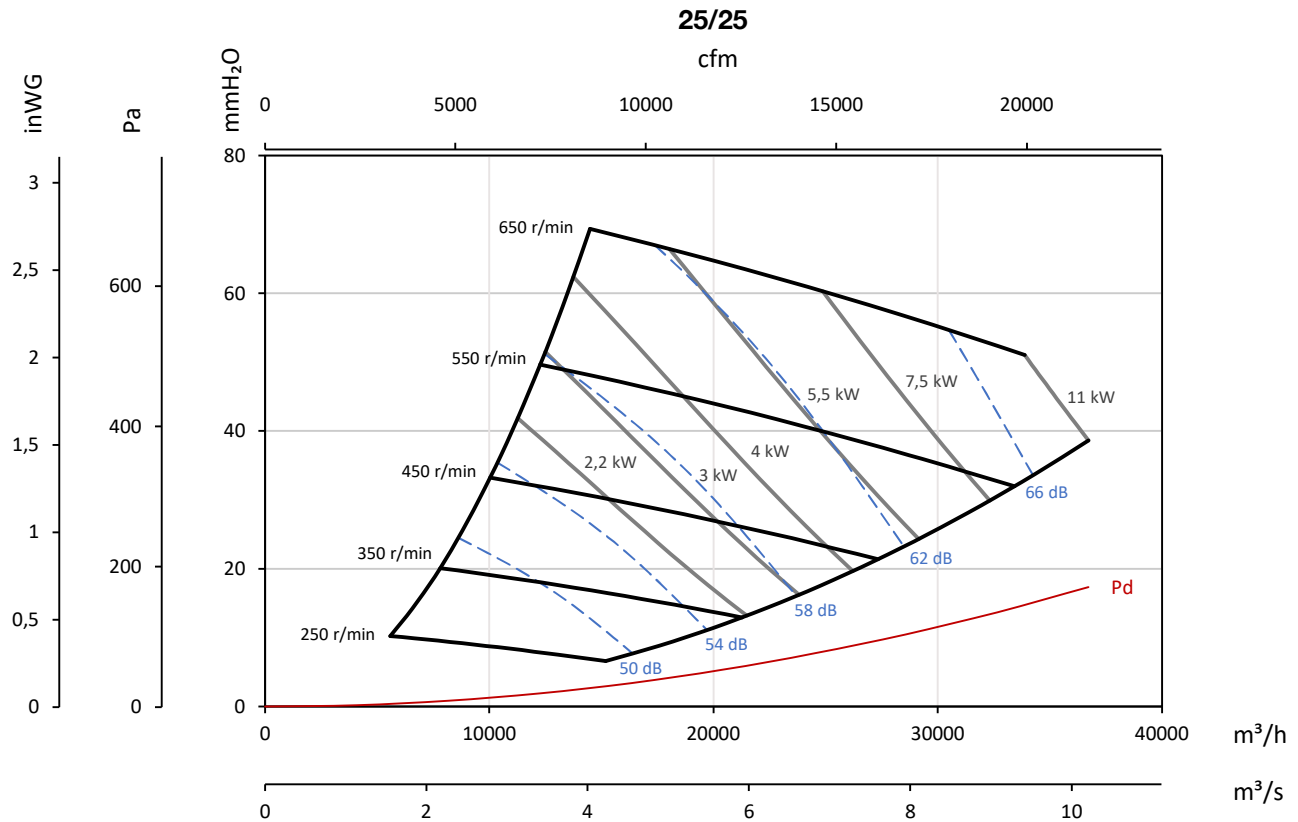
Pe= Static pressure in mm H₂O, Pa and inWG



Characteristic curves

Q= Flow rate in m³/h, m³/s and cfm

Pe= Static pressure in mm H₂O, Pa and inWG



Load loss curves of units with filters

Q= Flow rate in m³/h, m³/s and cfm

Pe= Static pressure in mm H₂O, Pa and inwg

