

CAS/ATEX

High pressure single inlet centrifugal fans, with ATEX 2G or 2D certification and Ex db, Ex eb or Ex tb motor



Notified authority: LOM
 Identification no.: LOM 04ATEX0007
 Motor marking:
 Ⓜ II 2G Ex db IIB T4 Gb
 Ⓜ II 2G Ex eb IIB T3 Gb
 Ⓜ II 2D Ex tb IIIC T135 °C Db



ATEX 2G or 2D certified, high pressure centrifugal extractor fans with flameproof Ex db, increased safety Ex eb or dust ignition proof Ex tb motor to work in explosive gas or dust atmospheres.

Fan:

- Sheet steel casing.
- Backward curved impeller in sheet steel, except models 242, 248, 254, 260, 640, 645 and 650 in cast aluminum impeller.
- Non-sparking inlet ring made of copper.
- Maximum temperature of air to be carried: -25 °C +88 °C (T4) or +120 °C (T3).
- Standard marking with flameproof motor (Ex db): II 2G Ex h IIB T4 Gb.
- Standard marking with increased safety motor (Ex eb): II 2G Ex h IIB T3 Gb.
- Standard marking with motor for dust ignition proof (Ex tb): II 2D Ex h IIIC T135 °C Db.

Motor:

- Class F motors with ball bearings and ATEX certification flameproof Ex db, increased safety Ex eb or dust ignition proof Ex tb.
- Three-phase 230/400 V 50 Hz (up to 4 kW) and 400/690 V 50 Hz (powers greater than 4 kW).
- Working temperature: -20 °C +40 °C.

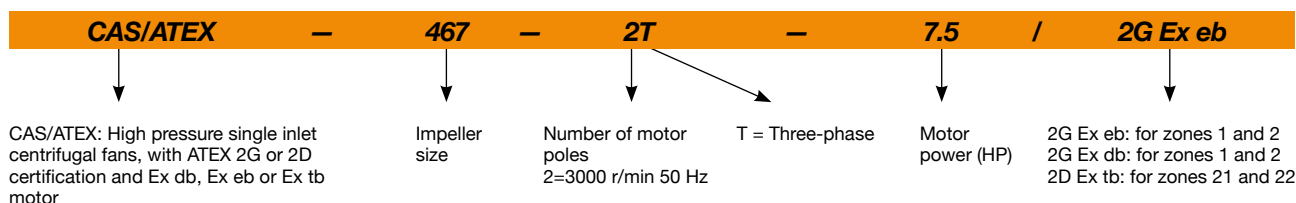
Finish:

- Anti-corrosive with ATEX paint, free of iron components, in polyester resin polymerized at 190 °C, after degreasing with phosphate-free nanotechnological treatment.

On request:

- Motors with built-in PTC.
- Special windings for different voltages and frequencies.
- ATEX construction for flammable dust.
- ATEX fan with greater protection than the standard marking.
- Fans with 2 speed motor.

Order code



Technical characteristics

Model	Speed (r/min)	Maximum admissible current (A)			Installed power (kW)	Maximum flow rate (m³/h)	Sound pressure level¹ dB (A)		Approx. weight (Kg)
		230V	400V	690V			Inlet		
CAS/ATEX-242-2T-0.5	2740	1.62	0.93		0.37	650	66	31	
CAS/ATEX-248-2T-1	2855	3.03	1.74		0.75	500	68	45	
CAS/ATEX-248-2T-1.5	2845	3.93	2.26		1.10	990	69	47	
CAS/ATEX-254-2T-2	2860	5.67	3.26		1.50	800	73	62	
CAS/ATEX-254-2T-3	2880	8.73	5.02		2.20	1300	75	63	
CAS/ATEX-260-2T-3	2880	8.73	5.02		2.20	900	74	78	
CAS/ATEX-463-2T-5.5	2900	13.15	7.56		4.00	1150	77	89	
CAS/ATEX-463-2T-7.5	2855		10.50	6.09	5.50	2000	78	96	
CAS/ATEX-467-2T-7.5	2855		10.50	6.09	5.50	1550	80	118	
CAS/ATEX-467-2T-10	2855		15.70	9.06	7.50	2600	81	123	

Technical characteristics

Model	Speed (r/min)	Maximum admissible current (A)			Installed power (kW)	Maximum flow rate (m ³ /h)	Sound pressure level ¹ dB (A) Inlet	Approx. weight (Kg)
		230V	400V	690V				
CAS/ATEX-571-2T-10	2855		15.70	9.06	7.50	2000	83	144
CAS/ATEX-571-2T-15	2930		22.00	12.70	11.00	3450	84	175
CAS/ATEX-640-2T-2	2860	5.67	3.26		1.50	2600	70	52
CAS/ATEX-645-2T-3	2880	8.73	5.02		2.20	2000	69	63
CAS/ATEX-645-2T-4	2895	10.59	6.09		3.00	3000	74	70
CAS/ATEX-650-2T-5.5	2900	13.15	7.56		4.00	3500	76	89
CAS/ATEX-650-2T-7.5	2855		10.50	6.09	5.50	4750	78	96
CAS/ATEX-852-2T-7.5	2855		10.50	6.09	5.50	3500	76	96
CAS/ATEX-852-2T-10	2855		15.70	9.06	7.50	5500	80	101
CAS/ATEX-856-2T-15	2930		22.00	12.70	11.00	7500	80	158
CAS/ATEX-863-2T-15	2930		22.00	12.70	11.00	4000	80	168
CAS/ATEX-863-2T-20	2920		27.40	15.90	15.00	7000	82	179
CAS/ATEX-971-2T-30	2930		38.00	22.00	22.00	8100	85	324
CAS/ATEX-971-2T-40	2955		50.00	29.00	30.00	12000	86	380
CAS/ATEX-790-2T-20	2920		27.40	15.90	15.00	2100	86	245
CAS/ATEX-980-2T-30	2930		38.00	22.00	22.00	4750	85	340
CAS/ATEX-990-2T-50	2950		64.00	37.00	37.00	6000	88	485
CAS/ATEX-1080-2T-40	2955		50.00	29.00	30.00	5400	86	420
CAS/ATEX-1090-2T-60	2960		76.00	44.00	45.00	6000	89	530

1. The noise level values are pressures in dB(A) measured at a distance of 3 metres in a free field.

Acoustic characteristics

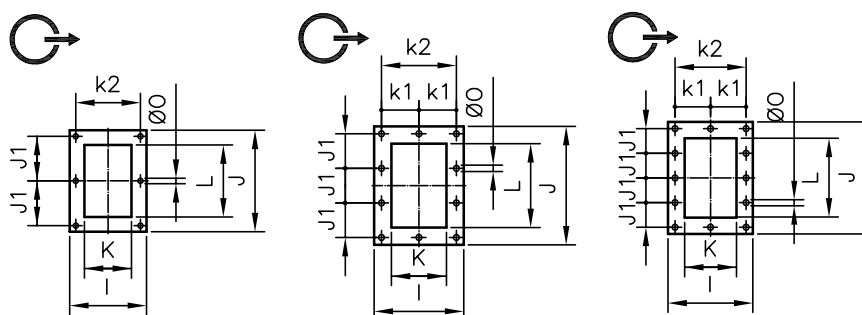
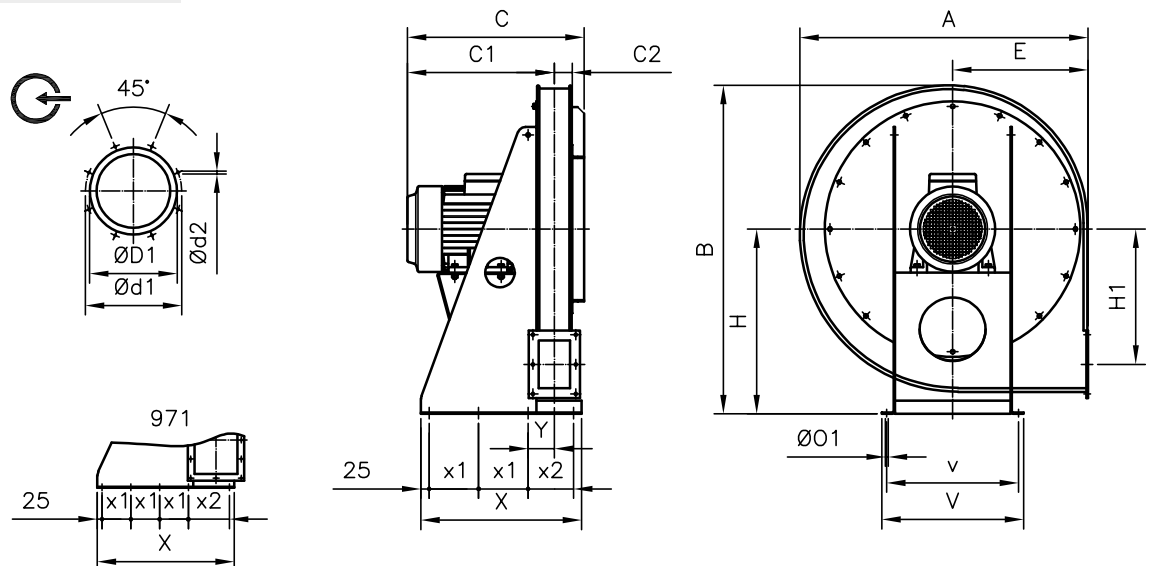
The values given are obtained under laboratory conditions according to ISO 3744.

Sound power spectrum L_w(A) in dB(A) per Hz frequency band
Values measured at inlet with maximum flow rate

	63	125	250	500	1000	2000	4000	8000		63	125	250	500	1000	2000	4000	8000
CAS/ATEX-242-2T-0.5	50	61	67	76	83	82	79	72	CAS/ATEX-650-2T-5.5	59	75	84	90	93	90	85	78
CAS/ATEX-248-2T-1	52	63	69	78	85	84	81	74	CAS/ATEX-650-2T-7.5	52	68	81	91	96	93	85	78
CAS/ATEX-248-2T-1.5	53	64	70	79	86	85	82	75	CAS/ATEX-852-2T-7.5	68	72	82	88	92	92	89	84
CAS/ATEX-254-2T-2	57	68	73	83	90	89	86	79	CAS/ATEX-852-2T-10	68	76	86	93	96	96	92	84
CAS/ATEX-254-2T-3	56	68	76	85	90	92	89	82	CAS/ATEX-856-2T-15	63	76	90	96	96	94	90	84
CAS/ATEX-260-2T-3	55	71	71	85	90	90	87	80	CAS/ATEX-863-2T-15	67	81	87	96	96	95	92	87
CAS/ATEX-463-2T-5.5	57	69	82	91	93	93	89	80	CAS/ATEX-863-2T-20	69	81	92	99	98	95	93	87
CAS/ATEX-463-2T-7.5	58	70	83	92	94	94	90	81	CAS/ATEX-971-2T-30	68	82	91	103	99	97	94	90
CAS/ATEX-467-2T-7.5	69	74	83	95	95	97	93	85	CAS/ATEX-971-2T-40	68	83	97	102	102	99	95	88
CAS/ATEX-467-2T-10	70	75	84	96	96	98	94	86	CAS/ATEX-790-2T-20	73	77	88	99	105	96	89	83
CAS/ATEX-571-2T-10	64	76	86	96	99	99	94	86	CAS/ATEX-980-2T-30	61	70	76	91	105	97	94	90
CAS/ATEX-571-2T-15	65	77	87	97	100	100	95	87	CAS/ATEX-990-2T-50	64	73	79	94	108	100	97	93
CAS/ATEX-640-2T-2	56	67	75	82	88	84	83	76	CAS/ATEX-1080-2T-40	62	71	77	92	106	98	95	91
CAS/ATEX-645-2T-3	55	66	74	81	87	83	82	75	CAS/ATEX-1090-2T-60	65	77	80	95	109	101	98	94
CAS/ATEX-645-2T-4	55	66	77	86	90	91	87	79									

Dimensions mm

CAS/ATEX-242...971



242/248/254/260/463/467/571

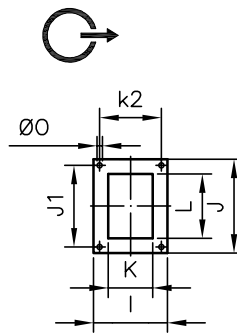
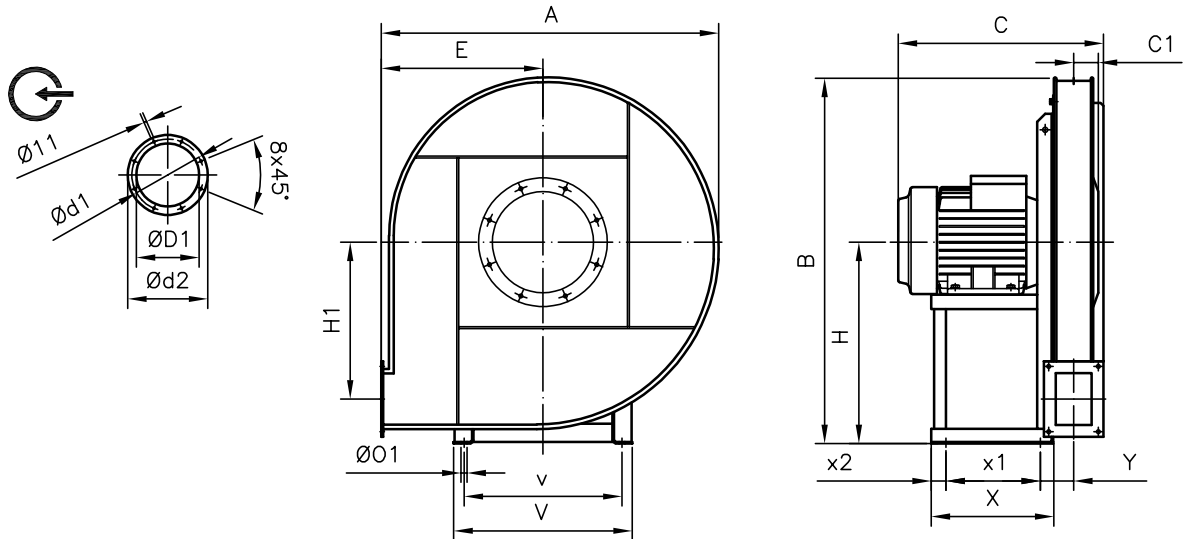
640/645/650

852/856/863/971

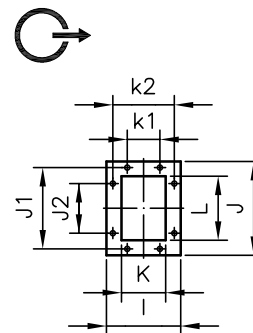
	A	B	C	C1	C2	Ød1	ØD1	Ød2	E	H	H1	I	J	J1	K	k1	k2	L	Ø0	Ø01	V	v	X	x1	x2	Y
CAS/ATEX-242-2T-0.5	576	662	310	247	33	130	100	M8	270	375	270	120	155	65	60	-	95	95	11	12	305	275	260	75	-	61
CAS/ATEX-248-2T-1	639	728	340	274	36	140	112	M8	300	410	297	126	165	70	66	-	101	105	11	12	320	290	300	90	-	64
CAS/ATEX-248-2T-1.5	639	728	340	274	36	140	112	M8	300	410	297	126	165	70	66	-	101	105	11	12	320	290	300	90	-	64
CAS/ATEX-254-2T-2	699	788	413	342.5	40.5	155	125	M8	330	440	322	135	175	75	75	-	110	115	11	14	340	310	330	100	-	68.5
CAS/ATEX-254-2T-3	699	788	443	372.5	40.5	155	125	M8	330	440	322	135	175	75	75	-	110	115	11	14	340	310	330	100	-	68.5
CAS/ATEX-260-2T-3	782	875	419	343.5	47.5	175	150	M8	370	485	362	145	185	80	85	-	120	125	11	14	380	350	370	115	-	73.5
CAS/ATEX-463-2T-5.5	782	875	459	383.5	45.5	240	200	M8	370	485	362	145	185	80	85	-	120	125	11	14	380	350	370	115	-	73.5
CAS/ATEX-463-2T-7.5	782	875	517	441.5	45.5	240	200	M8	370	485	362	145	185	80	85	-	120	125	11	14	380	350	370	115	-	73.5
CAS/ATEX-467-2T-7.5	833	945	524	436	48	258	224	M8	390	530	395	150	190	82.5	90	-	125	130	11	14	405	375	300	125	-	76
CAS/ATEX-467-2T-10	833	945	524	436	48	258	224	M8	390	530	395	150	190	82.5	90	-	125	130	11	14	405	375	300	125	-	76
CAS/ATEX-571-2T-10	873	995	536	445.5	50.5	275	250	M8	410	560	410	155	205	90	95	-	130	145	11	14	430	400	350	150	-	79.5
CAS/ATEX-571-2T-15	873	995	671	580.5	50.5	275	250	M8	410	560	410	155	205	90	95	-	130	145	11	14	430	400	410	180	-	79.5
CAS/ATEX-640-2T-2	639	728	446	350.5	65.5	275	250	M8	300	410	250	185	260	78	125	80	160	200	11	14	340	310	350	100	-	93.5
CAS/ATEX-645-2T-3	699	788	461	358	73	275	250	M8	330	440	267.5	200	284	86	140	87.5	175	224	11	14	380	350	380	115	-	101
CAS/ATEX-645-2T-4	699	788	491	388	73	275	250	M8	330	440	267.5	200	284	86	140	87.5	175	224	11	14	380	350	380	115	-	101
CAS/ATEX-650-2T-5.5	782	875	534	421	83	275	250	M8	370	485	300	220	310	95	160	97.5	195	250	11	14	405	375	490	125	190	111
CAS/ATEX-650-2T-7.5	782	875	572	459	83	275	250	M8	370	485	300	220	310	95	160	97.5	195	250	11	14	405	375	490	125	190	111
CAS/ATEX-852-2T-7.5	833	945	603	470	94.5	310	280	M8	390	530	320	240	340	78	180	107.5	215	280	11	14	430	400	540	150	190	122
CAS/ATEX-852-2T-10	833	945	603	470	94.5	310	280	M8	390	530	320	240	340	78	180	107.5	215	280	11	14	430	400	540	150	190	122
CAS/ATEX-856-2T-15	833	945	708	575	93	395	355	M8	390	530	320	240	340	78	180	107.5	215	280	11	14	430	400	600	180	190	122
CAS/ATEX-863-2T-15	873	995	728	585	103	410	355	M8	410	560	325	260	375	87.5	200	117.5	235	315	11	14	430	400	620	180	210	132
CAS/ATEX-863-2T-20	873	995	728	585	103	410	355	M8	410	560	325	260	375	87.5	200	117.5	235	315	11	14	430	400	620	180	210	132
CAS/ATEX-971-2T-30	1012	1170	881	720	116	450	400	M10	460	670	420	294	425	100	224	132	264	355	11	14	550	510	715	150	215	145
CAS/ATEX-971-2T-40	1012	1170	948	787	116	450	400	M10	460	670	420	294	425	100	224	132	264	355	11	14	550	510	715	150	215	145

Dimensions mm

CAS/ATEX-242...971



CAS-790



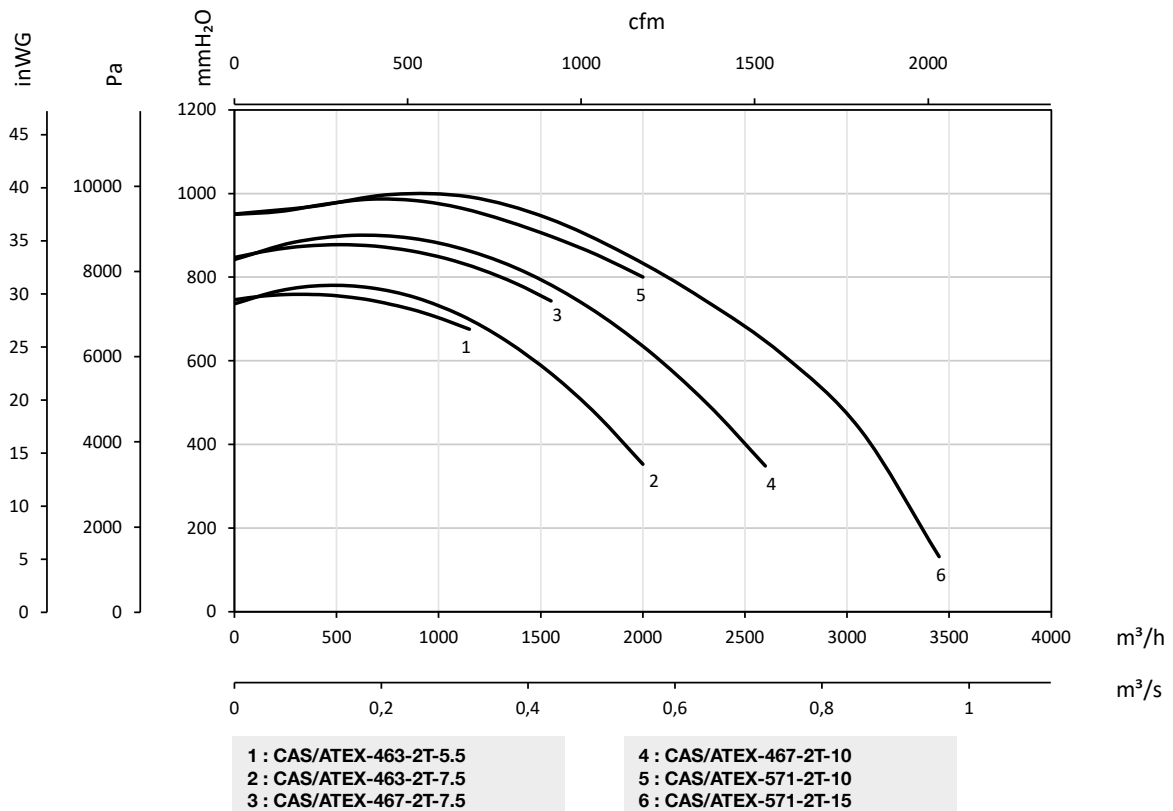
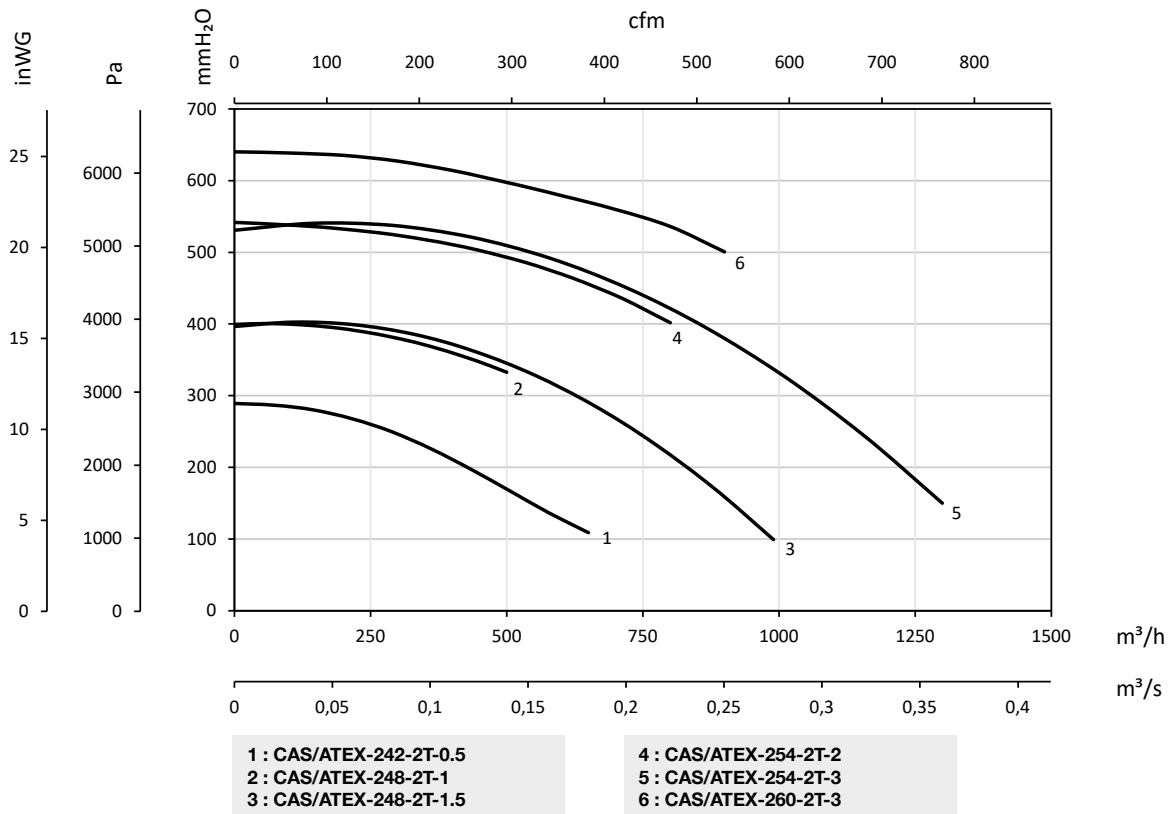
CAS-980...1090

	A	B	C	C1	ØD1	Ød1	Ød2	E	H	H1	I	J	J1	J2	K	k1	k2	L	Ø0	Ø01	V	v	X	x1	x2	Y
CAS/ATEX-790-2T-20	1095	1175	595	55	185	219	255	525	630	530	147	177	140	-	87	-	112	117	10	14	440	400	425	345	30	98
CAS/ATEX-980-2T-30	1125	1250	785	85	255	292	325	530	710	537	216	275	241	112	146	112	182	205	12	17	490	450	470	370	35	127
CAS/ATEX-990-2T-50	1270	1415	865	92	286	332	366	600	800	600	234	299	265	112	164	112	200	229	12	19	558	515	540	420	40	166
CAS/ATEX-1080-2T-40	1125	1250	845	85	255	292	325	530	710	537	216	275	241	112	146	112	182	205	12	19	608	565	540	420	40	157
CAS/ATEX-1090-2T-60	1270	1415	920	92	286	332	366	600	800	600	234	299	265	112	164	112	200	229	12	19	608	565	550	430	40	166

Characteristic curves

Q= Flow rate in m³/h, m³/s and cfm

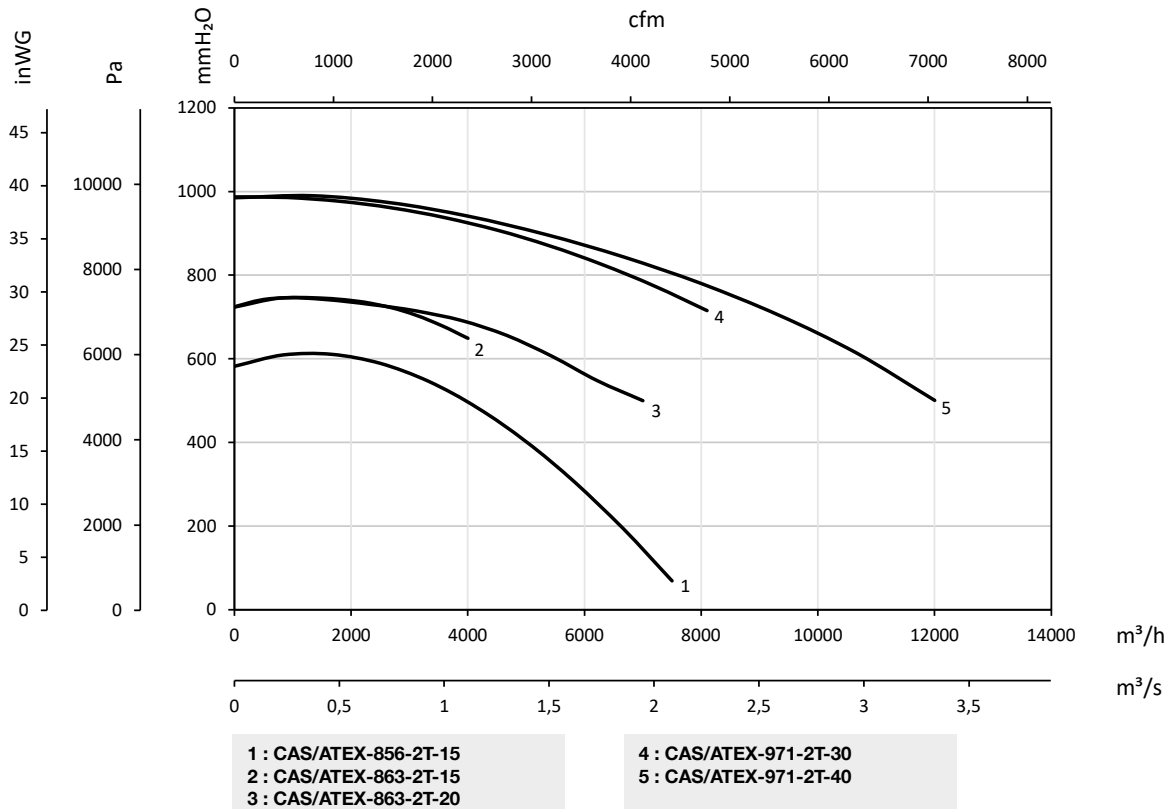
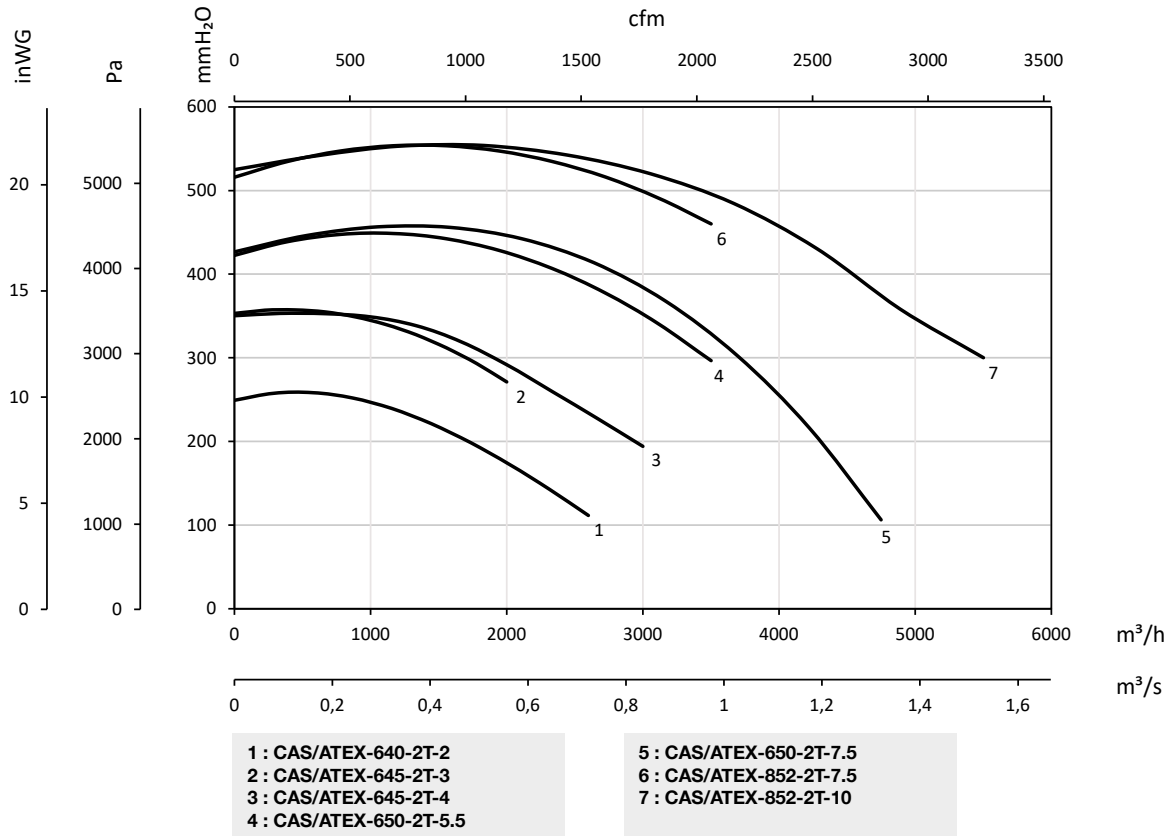
Pe= Static pressure in mm H₂O, Pa and inWG



Characteristic curves

Q= Flow rate in m³/h, m³/s and cfm

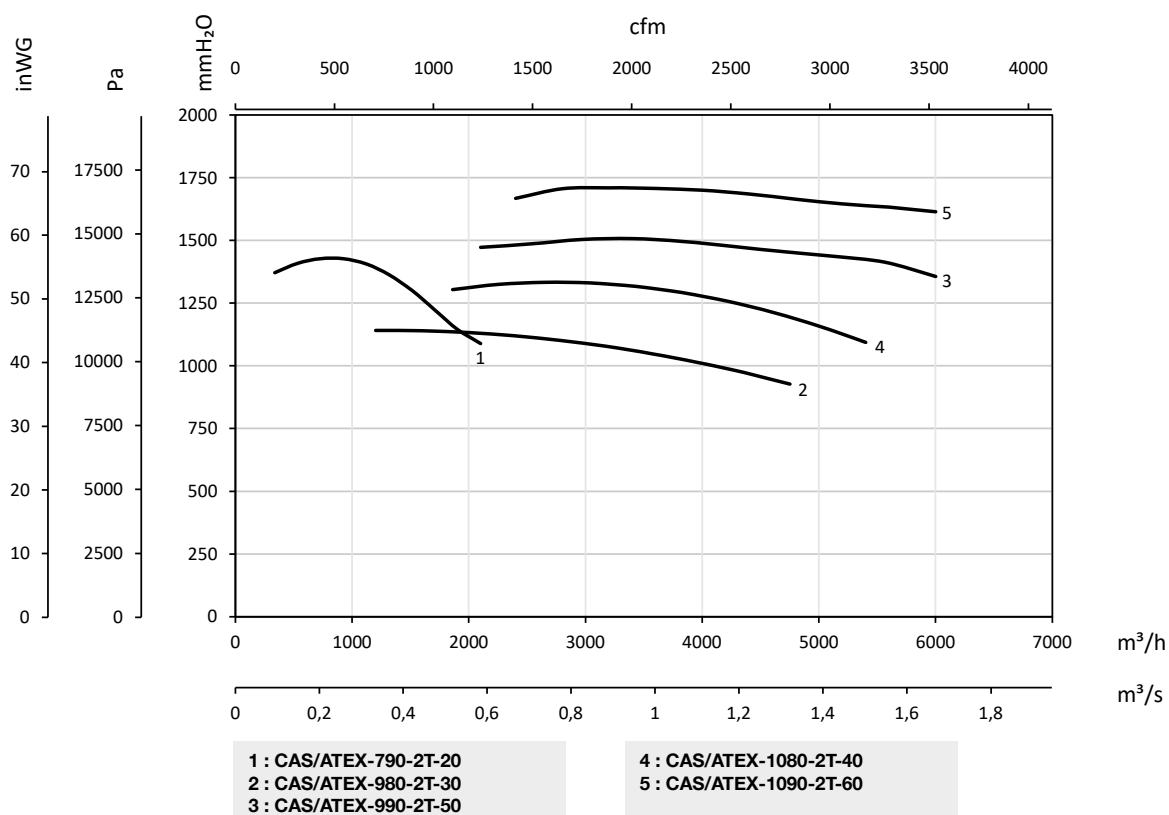
Pe= Static pressure in mm H₂O, Pa and inWG



Characteristic curves

Q= Flow rate in m³/h, m³/s and cfm

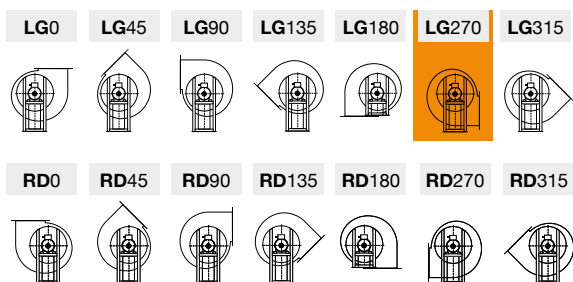
Pe= Static pressure in mm H₂O, Pa and inwg



Orientations

LG 270 standard supply, other positions on request.

Positions LG 180 and RD 180 on request with special anchoring measurements.



Accessories

