

CMR

Very robust single inlet, medium pressure centrifugal fans, equipped with a backward curved impeller



Fan:

- Sheet steel casing.
- Backward curved impeller in highly robust sheet steel.

Motor:

- Motors with IE3 efficiency for powers equal to or greater than 0.75kW, except single-phase, 2-speed and 8-pole.
- Class F motors with ball bearings, IP55 protection.
- Three-phase 230/400 V 50 Hz (up to 4 kW) and 400/690 V 50 Hz (powers greater than 4 kW).
- Maximum temperature of air to be carried: -20 °C +120 °C.

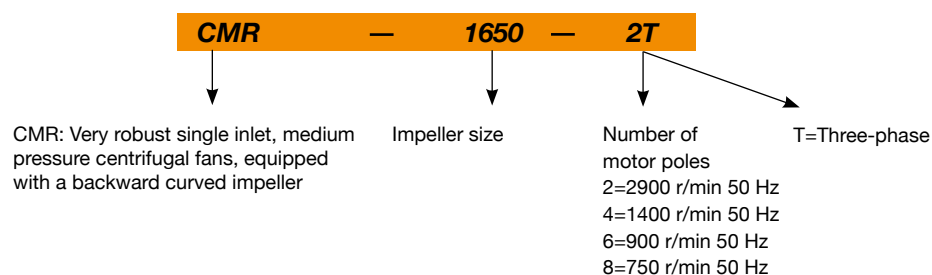
Finishing:

- Anti-corrosive finish in polyester resin, polymerised at 190 °C, after degreasing with phosphate-free nanotechnology treatment.

On request:

- Special windings for different voltages.
- Fan prepared to transport air up to +250 °C.
- Stainless steel fan.
- Category 2 ATEX certification (see CMR/ATEX series).

Order code



Technical characteristics

| Model | Speed (r/min) | Maximum admissible current (A) | | | Installed power (kW) | Maximum flow rate (m ³ /h) | Sound pressure level dB(A) | Approx. weight (Kg) | According ErP |
|-----------------|------------------|--------------------------------|-------|-------|-------------------------|--|-------------------------------|------------------------|---------------|
| | | 230V | 400V | 690V | | | | | |
| CMR-1031-2T IE3 | 2875 | 5.34 | 3.07 | | 1.50 | 5160 | 80 | 48 | 2015 |
| CMR-1135-2T IE3 | 2910 | 7.32 | 4.21 | | 2.20 | 7800 | 83 | 59 | 2015 |
| CMR-1240-2T IE3 | 2900 | 13.00 | 7.50 | | 4.00 | 11100 | 86 | 103 | 2015 |
| CMR-1240-4T IE3 | 1420 | 2.82 | 1.62 | | 0.75 | 5800 | 71 | 72 | 2015 |
| CMR-1445-2T IE3 | 2930 | | 14.10 | 8.17 | 7.50 | 16500 | 87 | 122 | 2015 |
| CMR-1445-4T IE3 | 1455 | 4.07 | 2.34 | | 1.10 | 8030 | 72 | 97 | 2015 |
| CMR-1650-2T IE3 | 2945 | | 20.00 | 11.60 | 11.00 | 18850 | 89 | 210 | 2015 |
| CMR-1650-4T IE3 | 1440 | 5.41 | 3.11 | | 1.50 | 10500 | 74 | 122 | 2015 |
| CMR-1856-4T IE3 | 1440 | 10.70 | 6.15 | | 3.00 | 15150 | 79 | 157 | 2015 |
| CMR-2063-4T IE3 | 1465 | | 10.30 | 5.97 | 5.50 | 24450 | 80 | 249 | 2015 |
| CMR-2063-6T IE3 | 950 | 6.43 | 3.70 | | 1.50 | 16100 | 71 | 212 | 2015 |
| CMR-2271-4T IE3 | 1470 | | 20.90 | 12.10 | 11.00 | 34610 | 85 | 340 | 2015 |
| CMR-2271-6T IE3 | 970 | 12.00 | 6.91 | | 3.00 | 22750 | 76 | 294 | 2015 |
| CMR-2380-4T IE3 | 1470 | | 41.00 | 23.80 | 22.00 | 48000 | 83 | 431 | 2015 |
| CMR-2380-6T IE3 | 975 | | 14.80 | 8.58 | 7.50 | 30000 | 75 | 398 | 2015 |



Erp. (Energy Related Products)

Information on Directive 2009/125/EC can be downloaded from the SODECA website or the QuickFan selector programme.

Acoustic characteristics

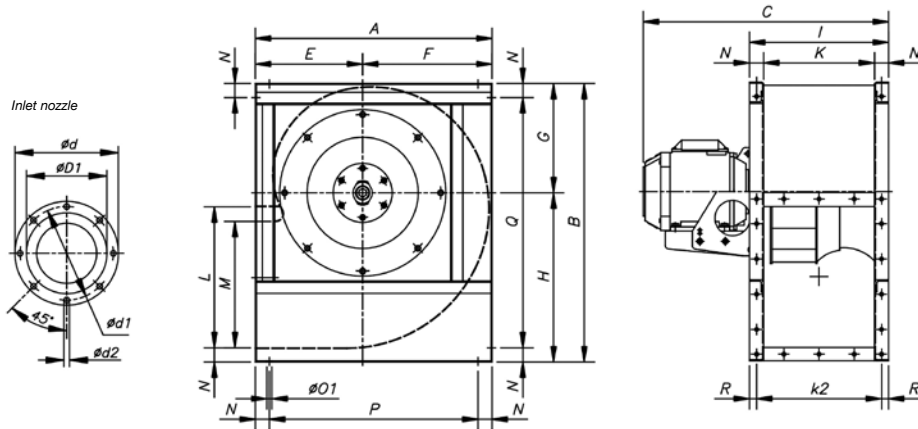
The indicated values are determined by measuring the sound pressure level and sound power in dB(A) obtained in a free field at a distance equivalent to twice the size of the fan plus the impeller diameter, with a minimum of 1.5 m.

Sound power spectrum Lw(A) in dB(A) per Hz frequency band.

| Model | 63 | 125 | 250 | 500 | 1000 | 2000 | 4000 | 8000 | Model | 63 | 125 | 250 | 500 | 1000 | 2000 | 4000 | 8000 |
|--------|----|-----|-----|-----|------|------|------|------|--------|----|-----|-----|-----|------|------|------|------|
| 1031-2 | 65 | 78 | 78 | 91 | 86 | 86 | 86 | 79 | 1856-4 | 69 | 78 | 91 | 87 | 90 | 91 | 85 | 71 |
| 1135-2 | 72 | 79 | 77 | 89 | 87 | 93 | 92 | 79 | 2063-4 | 80 | 85 | 91 | 93 | 91 | 88 | 81 | 73 |
| 1240-2 | 68 | 83 | 81 | 93 | 90 | 94 | 96 | 83 | 2063-6 | 69 | 70 | 82 | 82 | 81 | 83 | 73 | 63 |
| 1240-4 | 56 | 70 | 76 | 79 | 79 | 80 | 70 | 59 | 2271-4 | 83 | 84 | 93 | 96 | 98 | 99 | 95 | 82 |
| 1445-2 | 73 | 85 | 83 | 95 | 93 | 97 | 99 | 89 | 2271-6 | 73 | 73 | 87 | 86 | 90 | 90 | 79 | 68 |
| 1445-4 | 59 | 72 | 78 | 83 | 80 | 83 | 78 | 64 | 2380-4 | 76 | 78 | 94 | 91 | 96 | 97 | 93 | 82 |
| 1650-2 | 73 | 81 | 85 | 99 | 97 | 99 | 99 | 88 | 2380-6 | 68 | 70 | 86 | 83 | 88 | 89 | 85 | 74 |
| 1650-4 | 64 | 74 | 82 | 84 | 83 | 85 | 76 | 66 | | | | | | | | | |

Dimensions mm

CMR-1031...2271



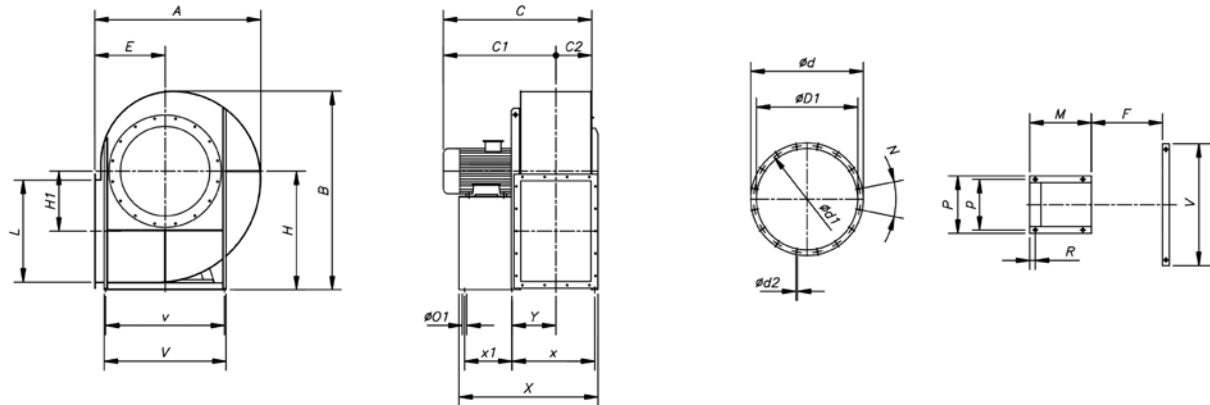
| | A | B | C | øD1* | ød | ød1 | ød2 | E | F | G | H | I | K | k2 | L | M | N | øO1 | P | Q | R |
|-------------|------|------|-------|------|-----|-----|-----|-----|-----|-----|-----|-----|-----|-----|-----|-----|----|-----|------|------|------|
| CMR-1031-2T | 542 | 626 | 573.5 | 315 | 383 | 356 | M8 | 250 | 292 | 245 | 381 | 320 | 250 | 285 | 315 | 276 | 35 | 11 | 472 | 556 | 17.5 |
| CMR-1135-2T | 600 | 696 | 656 | 355 | 425 | 398 | M8 | 275 | 325 | 273 | 423 | 350 | 280 | 315 | 355 | 310 | 35 | 11 | 530 | 626 | 17.5 |
| CMR-1240-2T | 673 | 790 | 728 | 400 | 472 | 444 | M10 | 305 | 368 | 310 | 480 | 395 | 315 | 355 | 400 | 358 | 40 | 11 | 593 | 710 | 20 |
| CMR-1240-4T | 673 | 790 | 590 | 400 | 472 | 444 | M10 | 305 | 368 | 310 | 480 | 395 | 315 | 355 | 400 | 358 | 40 | 11 | 593 | 710 | 20 |
| CMR-1445-2T | 765 | 880 | 810 | 450 | 522 | 494 | M10 | 350 | 415 | 339 | 541 | 445 | 355 | 403 | 450 | 404 | 45 | 11 | 675 | 790 | 21 |
| CMR-1445-4T | 765 | 880 | 649 | 450 | 522 | 494 | M10 | 350 | 415 | 339 | 541 | 445 | 355 | 403 | 450 | 404 | 45 | 11 | 675 | 790 | 21 |
| CMR-1650-2T | 832 | 970 | 961 | 500 | 582 | 555 | M10 | 375 | 457 | 378 | 592 | 490 | 400 | 450 | 500 | 445 | 45 | 13 | 742 | 880 | 20 |
| CMR-1650-4T | 832 | 970 | 715 | 500 | 582 | 555 | M10 | 375 | 457 | 378 | 592 | 490 | 400 | 450 | 500 | 445 | 45 | 13 | 742 | 880 | 20 |
| CMR-1856-4T | 925 | 1084 | 832 | 560 | 645 | 615 | M10 | 415 | 510 | 426 | 658 | 550 | 450 | 500 | 560 | 493 | 50 | 13 | 825 | 984 | 25 |
| CMR-2063-4T | 1037 | 1218 | 973 | 630 | 720 | 688 | M10 | 465 | 572 | 477 | 741 | 620 | 500 | 560 | 630 | 530 | 60 | 13 | 917 | 1098 | 30 |
| CMR-2063-6T | 1037 | 1218 | 893 | 630 | 720 | 688 | M10 | 465 | 572 | 477 | 741 | 620 | 500 | 560 | 630 | 530 | 60 | 13 | 917 | 1098 | 30 |
| CMR-2271-4T | 1173 | 1375 | 1126 | 710 | 800 | 768 | M12 | 525 | 648 | 538 | 837 | 690 | 560 | 625 | 710 | 603 | 65 | 13 | 1043 | 1245 | 32.5 |
| CMR-2271-6T | 1173 | 1375 | 1039 | 710 | 800 | 768 | M12 | 525 | 648 | 538 | 837 | 690 | 560 | 625 | 710 | 603 | 65 | 13 | 1043 | 1245 | 32.5 |

* Recommended nominal tube diameter

SMALL SERIES

Dimensions mm

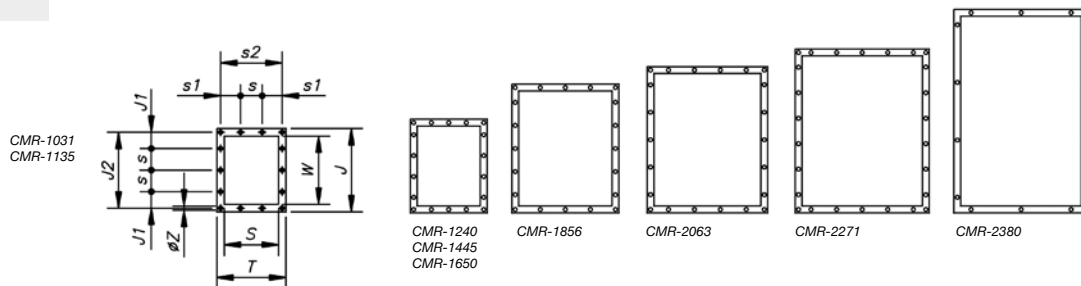
CMR-2380



| | A | B | C | C1 | C2 | ØD1 | Ød | Ød1 | Ød2 | E | H | H1 | L | F | M | R | N | Ø01 | P |
|-------------|------|------|------|-----|-----|-----|-----|-----|-----|-----|-----|-----|-----|-----|-----|----|-----------|-----|-----|
| CMR-2380-4T | 1312 | 1592 | 1174 | 882 | 292 | 805 | 920 | 861 | 15 | 560 | 950 | 482 | 808 | 574 | 543 | 39 | 16x22°30' | 19 | 926 |
| CMR-2380-6T | 1312 | 1592 | 1055 | 763 | 292 | 805 | 920 | 861 | 15 | 560 | 950 | 482 | 808 | 574 | 474 | 39 | 16x22°30' | 19 | 926 |

| | p | V | v | X | x | x1 | Y |
|-------------|-----|-----|-----|------|-----|-----|-----|
| CMR-2380-4T | 862 | 965 | 862 | 1184 | 675 | 441 | 353 |
| CMR-2380-6T | 862 | 965 | 862 | 1115 | 675 | 372 | 353 |

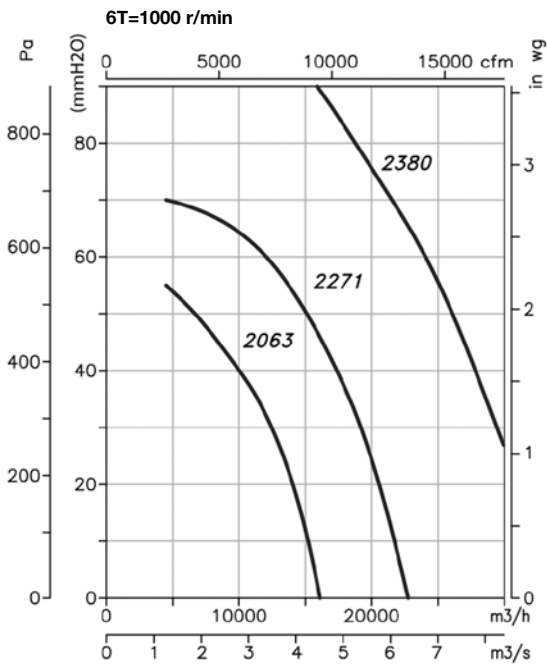
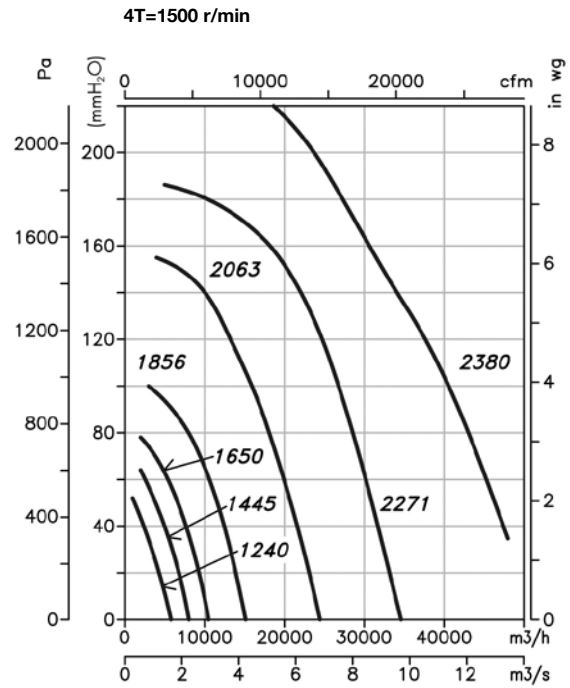
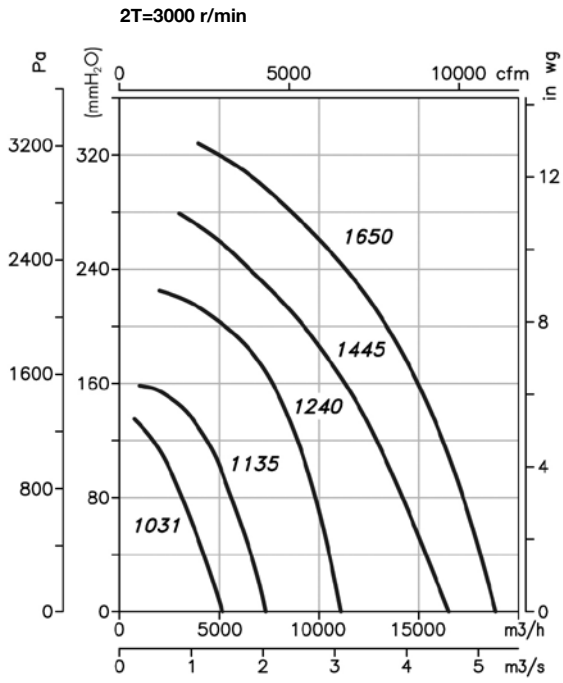
Outlet nozzle



| | T | J | J1 | J2 | S | s | s1 | s2 | W | Øz |
|----------|-----|-----|-----|-----|-----|-----|-------|-----|-----|----|
| CMR-1031 | 320 | 385 | 75 | 350 | 250 | 100 | 92.5 | 285 | 315 | 9 |
| CMR-1135 | 350 | 425 | 95 | 390 | 280 | 100 | 107.5 | 315 | 355 | 9 |
| CMR-1240 | 395 | 480 | 70 | 440 | 315 | 100 | 77.5 | 355 | 400 | 11 |
| CMR-1445 | 445 | 540 | 99 | 498 | 355 | 100 | 102.5 | 403 | 450 | 11 |
| CMR-1650 | 490 | 590 | 88 | 550 | 400 | 125 | 100 | 450 | 500 | 11 |
| CMR-1856 | 550 | 660 | 55 | 610 | 450 | 125 | 125 | 500 | 560 | 13 |
| CMR-2063 | 620 | 750 | 95 | 690 | 500 | 125 | 92.5 | 560 | 630 | 13 |
| CMR-2271 | 690 | 840 | 75 | 775 | 560 | 125 | 62.5 | 625 | 710 | 13 |
| CMR-2380 | 689 | 921 | 135 | 871 | 574 | 200 | 119 | 639 | 808 | 14 |

Characteristic curves

Q= Flow rate in m³/h, m³/s and cfm Pe= Static pressure in mm H₂O, Pa and inwg

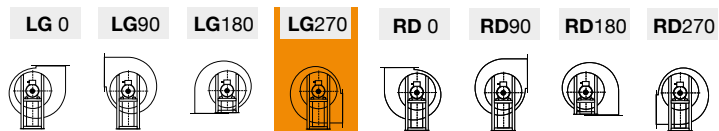


SMALL SERIES

Orientations

Standard supply LG 270

Models 2380, 2590 and 28100 with LG 270 fixed orientation (other orientations only on request)



Accessories

